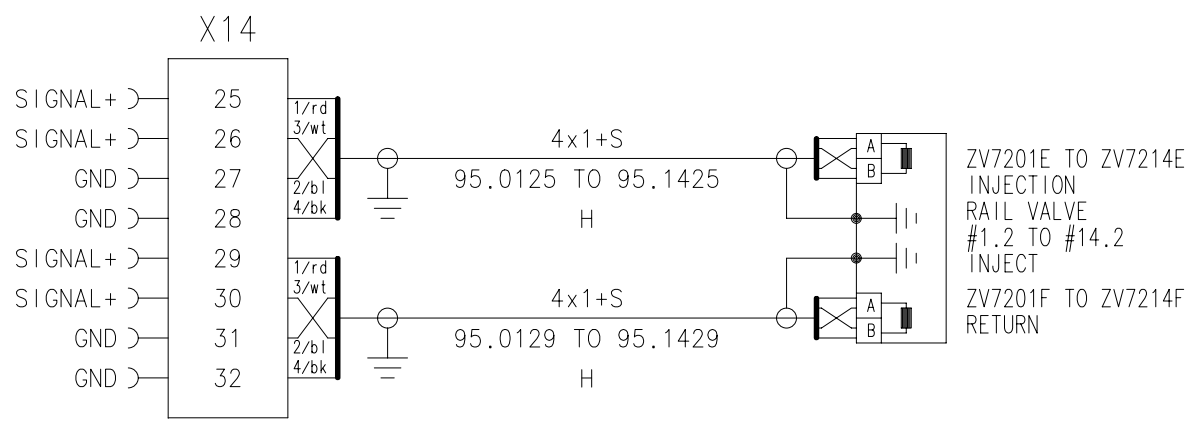
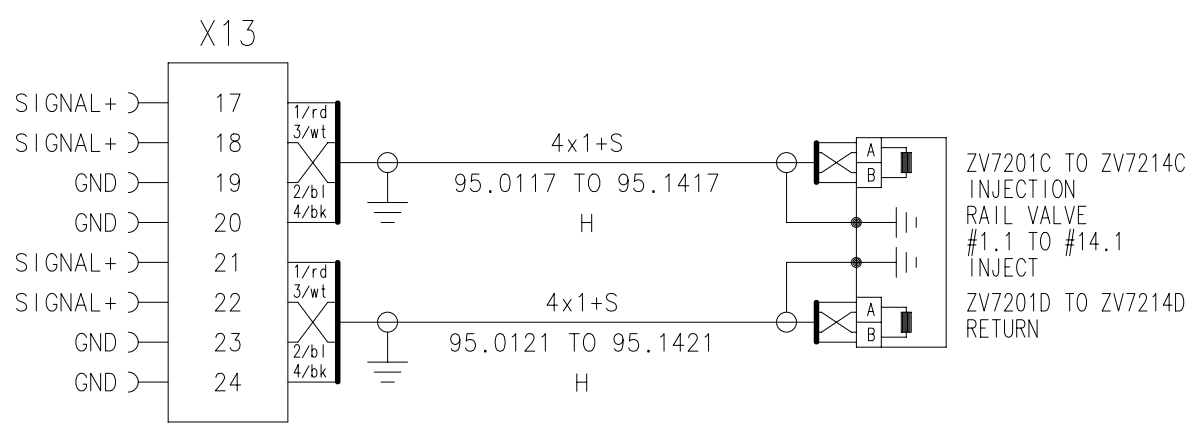
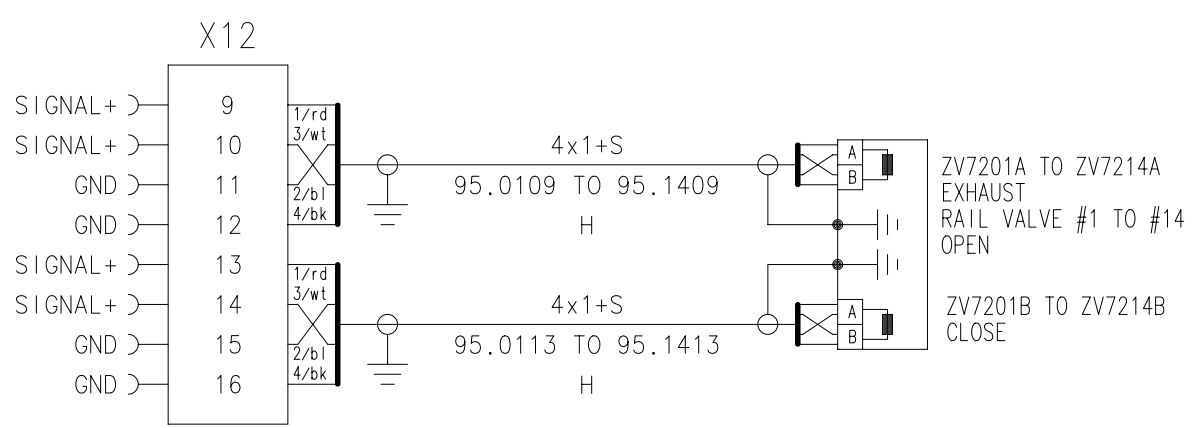
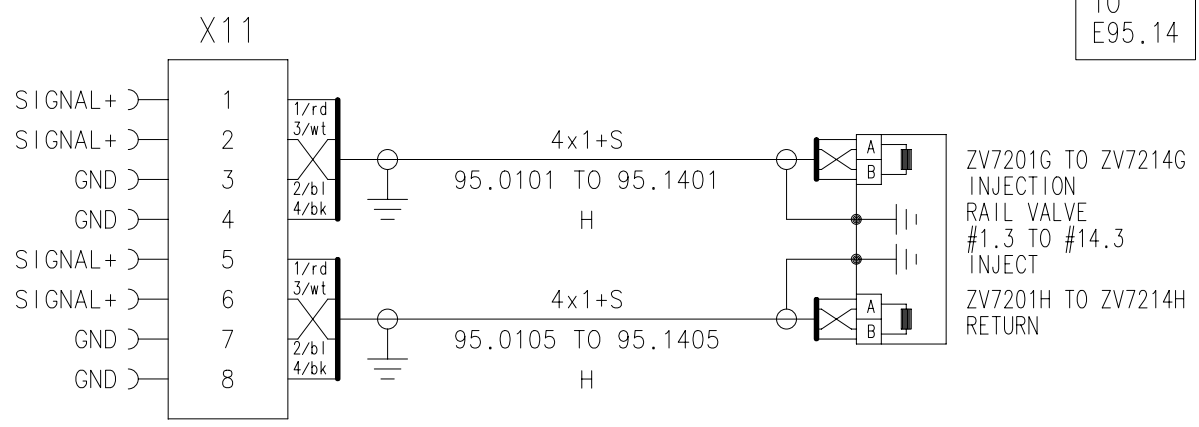


E95.01
TO
E95.14

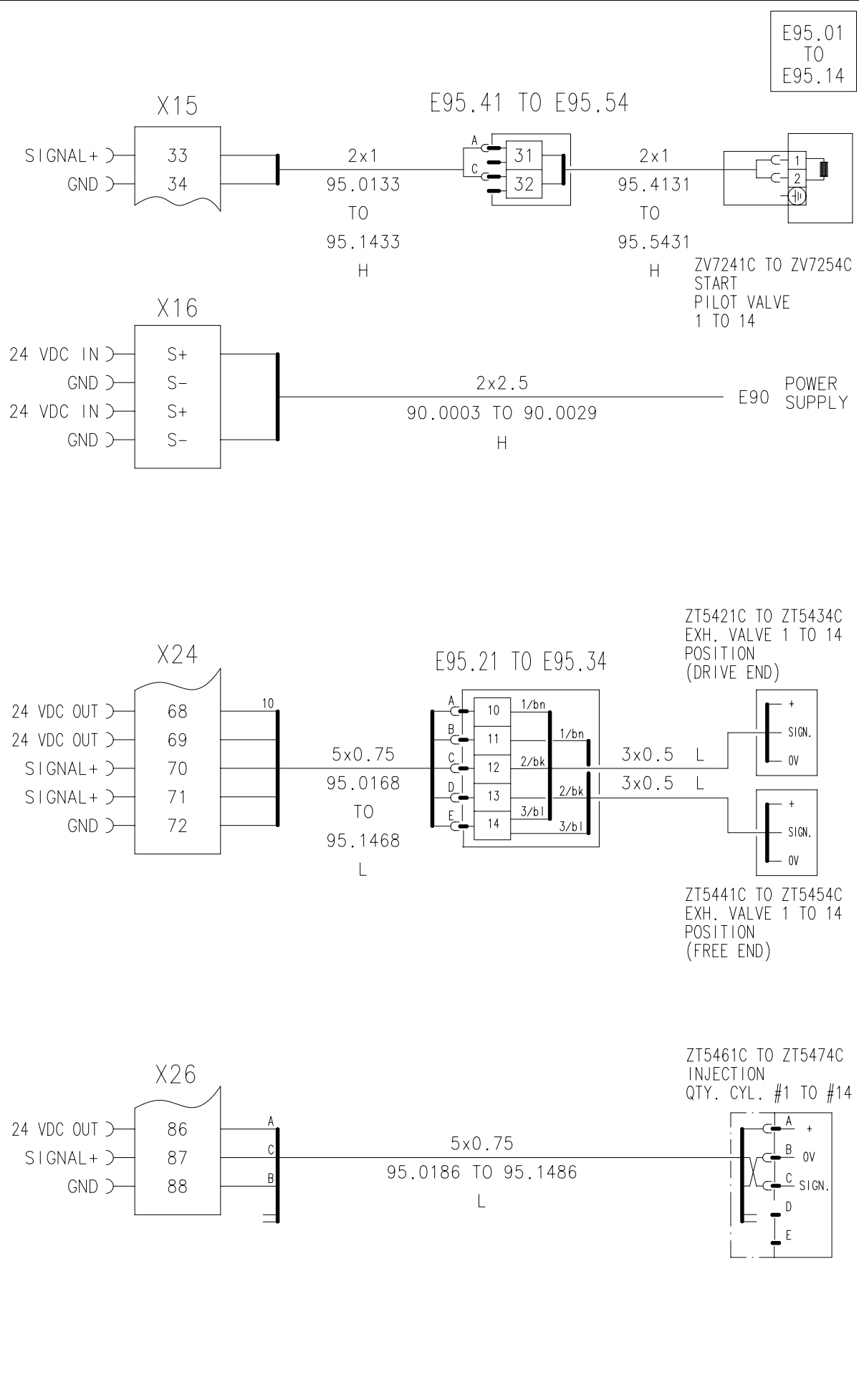


Wartsila Switzerland Ltd. retains all rights in this drawing. By taking possession of the drawing the recipient recognizes and warrants these rights. Neither the whole nor any part of this drawing may be used in any way for construction, fabrication or marketing or any other purpose nor copied in any way nor made accessible to third parties without the previous written consent of Wartsila Switzerland Ltd. In case of violation, the recipient will be liable to damages.

.9		.8		.7		.6		.5		.4		.3		.2		.1		.0	
3-107.351.245										WIRING DIAGRAM									
2										E95 / WECS-9520									
Wartsila Switzerland Ltd										RT-flex84T-D RT-flex96C-B									
Drawn M.BUNER 03.02.05										Design group 9319									
Contr. M.BUNER/KOSMINTZKE 16.02.05										Origin/Ref.									
CAD																			



Wartsila Switzerland Ltd. retains all rights in this drawing. By taking possession of the drawing the recipient recognizes and warrants these rights. Neither the whole nor any part of this drawing may be used in any way for construction, fabrication or marketing or any other purpose nor copied in any way nor made accessible to third parties without the previous written consent of Wartsila Switzerland Ltd. In case of violation, the recipient will be liable to damages.

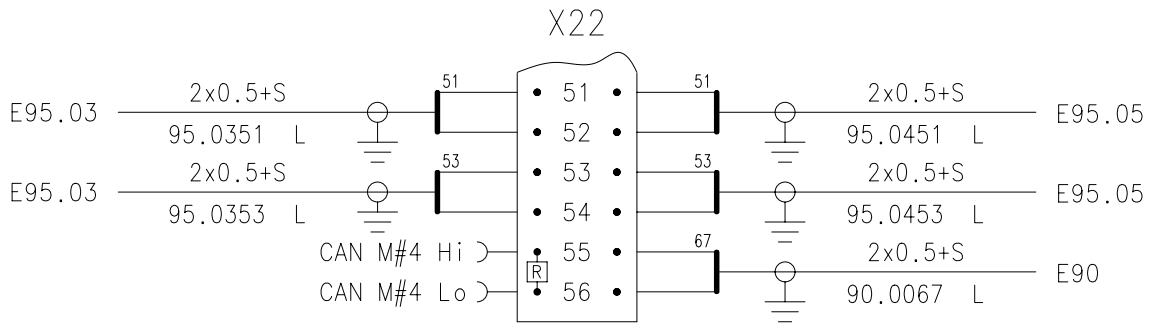


E95.01 TO E95.14

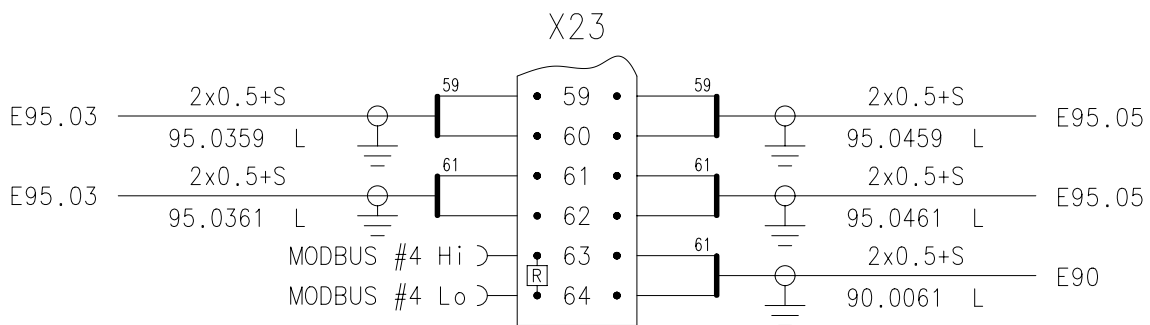
.9		.	
.8		3	
.7		3-107.351.245	
.6		Wartsila Switzerland Ltd	
.5			
.4		Drawn M.BUNER 03.02.05	Contr. M.BUNER/KOSKINEN/TZE 16.02.05
.3		WIRING DIAGRAM	
.2		E95 / WECS-9520	
.1		RT-flex84T-D	
.0		RT-flex96C-B	
Mod.		CAD	

Design group 9319
Origin/Ref.

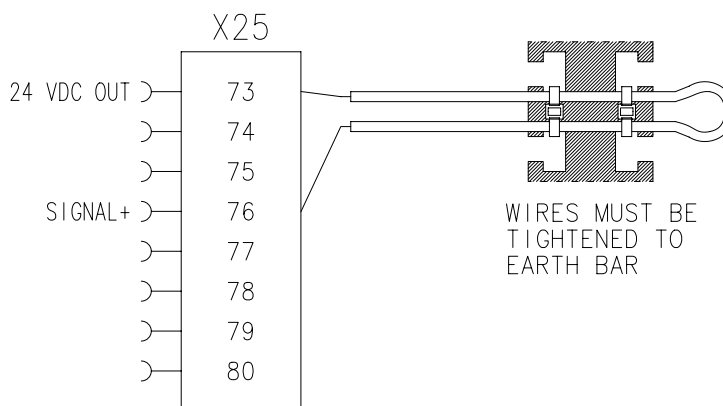
Wartsila Switzerland Ltd retains all rights in this drawing. By taking possession of the drawing the recipient recognizes and holds these rights. No part of the whole or any part of this drawing may be used in any way for construction, fabrication or marketing or any other purpose nor copied in any way nor made accessible to third parties without the previous written consent of Wartsila Switzerland Ltd. In case of violation, the recipient will be liable to damages.



R = TERMINATOR RESISTOR 120 OHM



R = TERMINATOR RESISTOR 120 OHM



E95.04

3-107.351.245

Wartsila Switzerland Ltd



Drawn M.BUNER 03.02.05
Contr. M.BUNER/KOSMINI/TZE 16.02.05

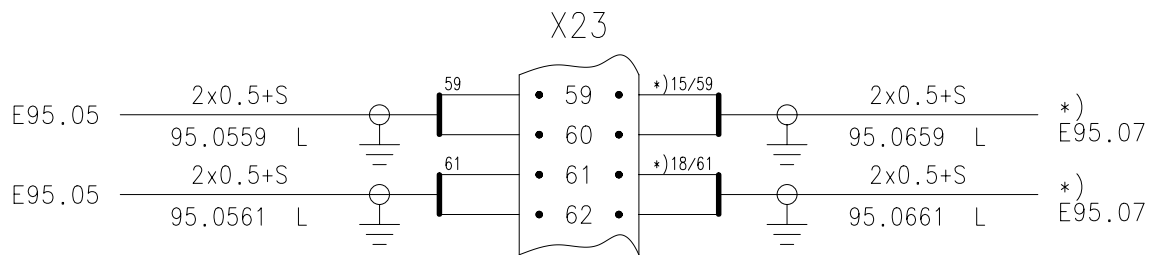
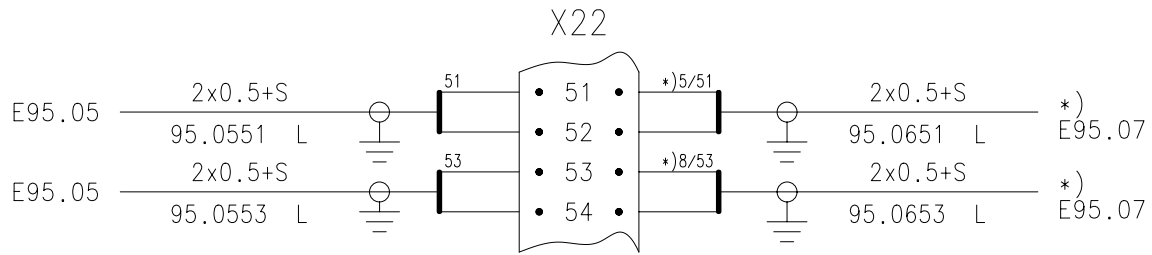
WIRING DIAGRAM
E95 / WECS-9520

RT-flex84T-D
RT-flex96C-B

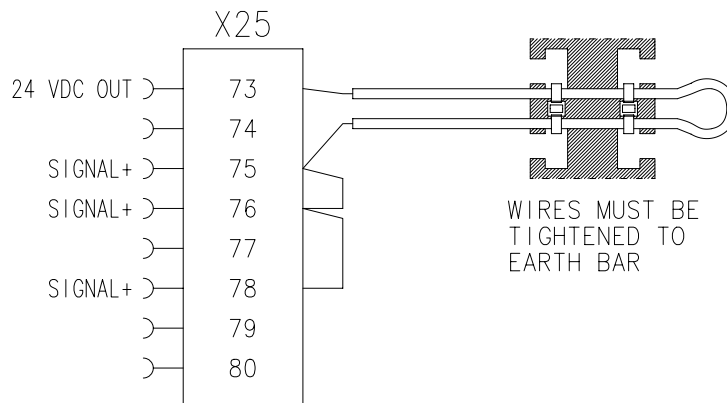
Design group 9319
Origin/ Ref.

CAD

Wartsila Switzerland Ltd. retains all rights in this drawing. By taking possession of the drawing the recipient recognizes and warrants these rights. Neither the whole nor any part of this drawing may be used in any way for construction, fabrication or marketing or any other purpose nor copied in any way nor made accessible to third parties without the previous written consent of Wartsila Switzerland Ltd. In case of violation, the recipient will be liable to damages.



*) FOR 6 CYLINDER CONNECTED TO E96

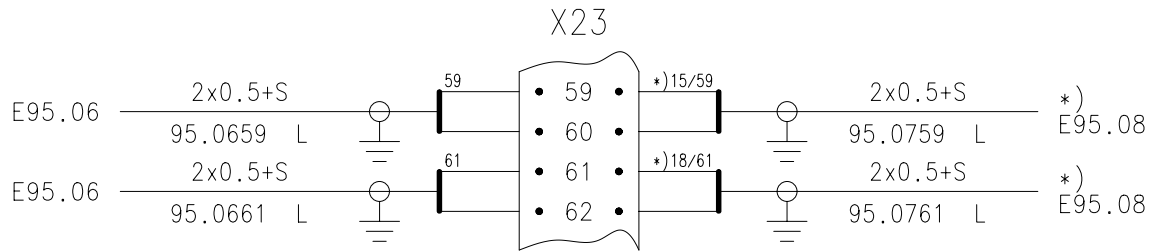
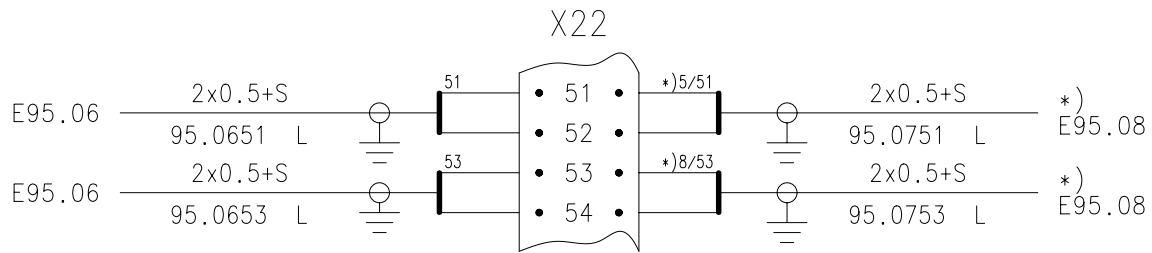


E95.06

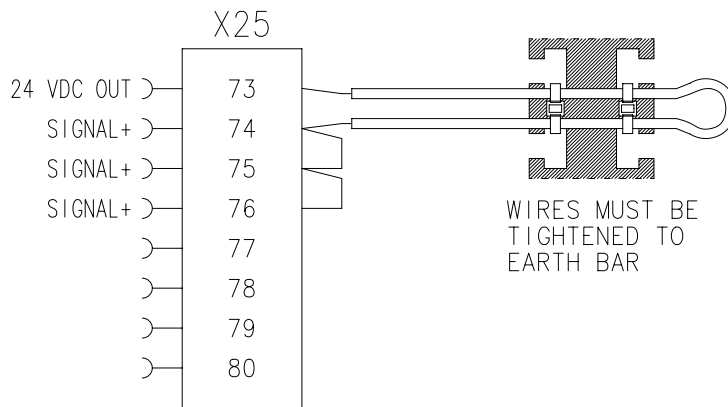
.9		.8		.7		.6		.5		.4		.3		.2		.1		.0	
										3-107.351.245		9							
										WÄRTSILA		M.BÜNER 03.02.05		M.BÜNER/KOSCHNITZKE 16.02.05		WIRING DIAGRAM		RT-flex84T-D	
										Wartsila Switzerland Ltd		Contr.		E95 / WECS-9520		RT-flex96C-B		CAD	

Design group 9319
Origin/Ref.

Wartsila Switzerland Ltd. retains all rights in this drawing. By taking possession of the drawing the recipient recognizes and warrants these rights. Neither the whole nor any part of this drawing may be used in any way for construction, fabrication or marketing or any other purpose nor copied in any way nor made accessible to third parties without the previous written consent of Wartsila Switzerland Ltd. In case of violation, the recipient will be liable to damages.



*) FOR 7 CYLINDER CONNECTED TO E96

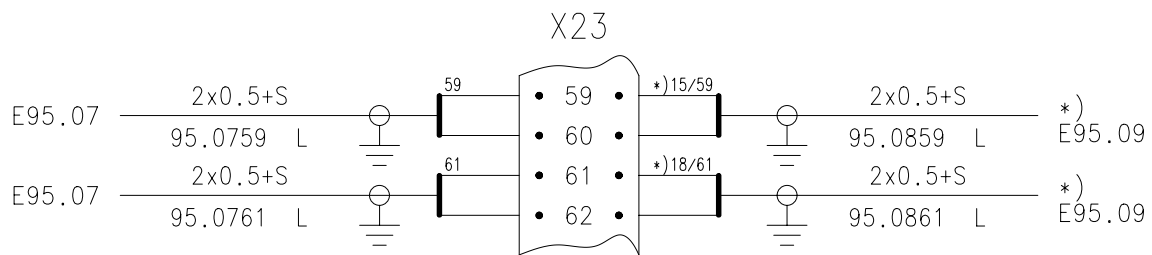
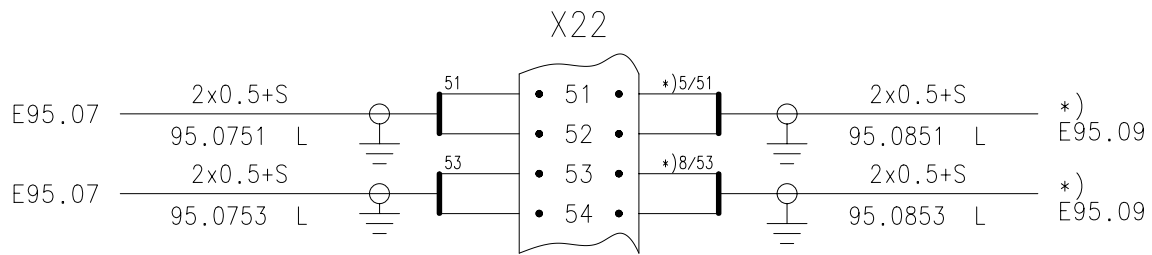


E95.07

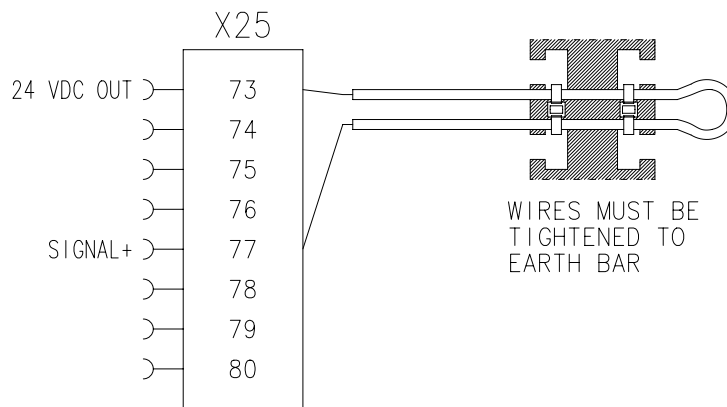
.9		.8		.7		.6		.5		.4		.3		.2		.1		.0	
3-107.351.245										10		M.BUNER 03.02.05		WIRING DIAGRAM		E95 / WECS-9520		RT-flex84T-D	
WARTSILA										Wartsila Switzerland Ltd		Contr. M.BUNER/KOSCHNITZKE 16.02.05		E95		RT-flex96C-B		CAD	

Design group 9319
Origin/Ref.

Wartsila Switzerland Ltd retains all rights in this drawing. By taking possession of the drawing the recipient recognizes and warrants these rights. Neither the whole nor any part of this drawing may be used in any way for construction, fabrication or marketing or any other purpose nor copied in any way nor made accessible to third parties without the previous written consent of Wartsila Switzerland Ltd. In case of violation, the recipient will be liable to damages.



*) FOR 8 CYLINDER CONNECTED TO E96

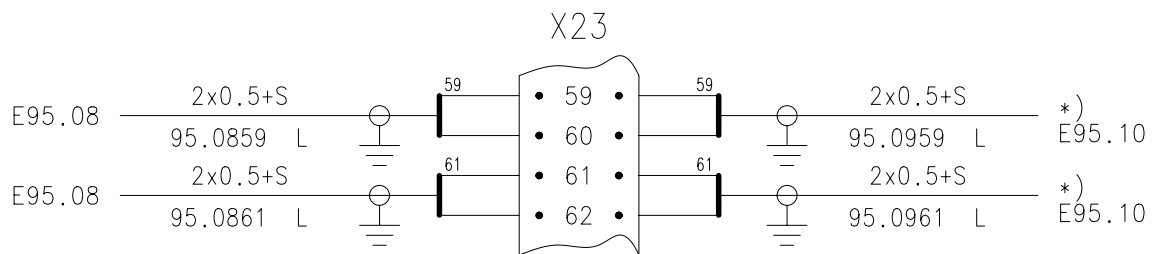
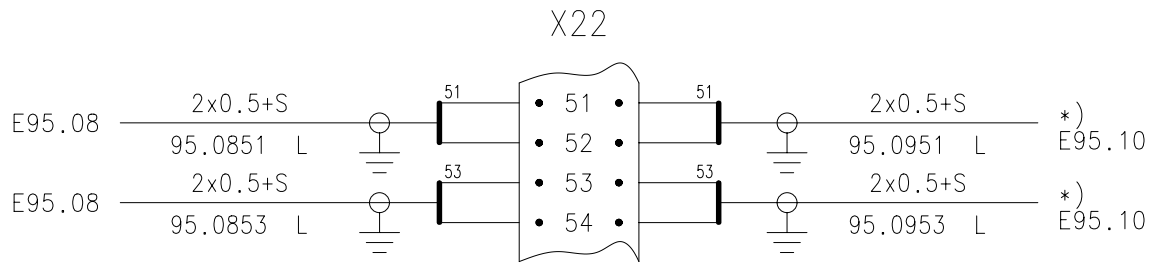


E95.08

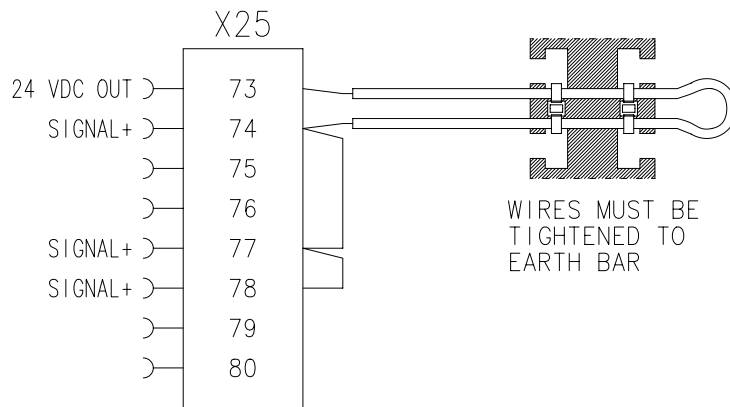
.9		.8		.7		.6		.5		.4		.3		.2		.1		.0	
										3-107.351.245		11							
										WÄRTSILA		WÄRTSILA							
										Drawn M.BÜNER 03.02.05		Contr. M.BÜNER/KOSCHNITZKE 16.02.05							
										WIRING DIAGRAM		E95 / WECS-9520							
										RT-flex84T-D		RT-flex96C-B							
										Design group 9319									
										Origin/Ref.									
										CAD									

Wartsila Switzerland Ltd

Wartsila Switzerland Ltd. retains all rights in this drawing. By taking possession of the drawing the recipient recognizes and holds these rights. Neither the whole nor any part of this drawing may be used in any way for construction, fabrication or marketing or any other purpose nor copied in any way nor made accessible to third parties without the previous written consent of Wartsila Switzerland Ltd. In case of violation, the recipient will be liable to damages.



*) FOR 9 CYLINDER CONNECTED TO E96



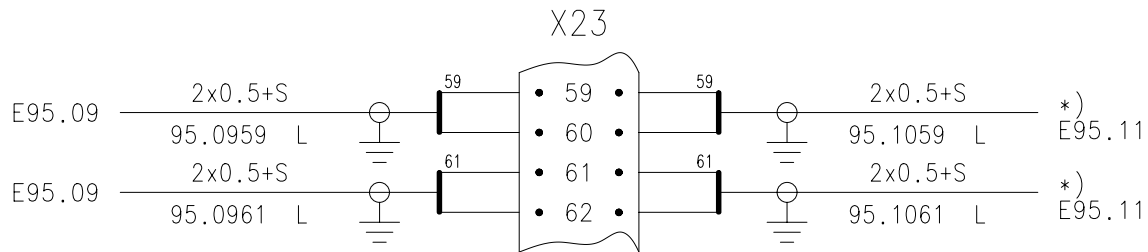
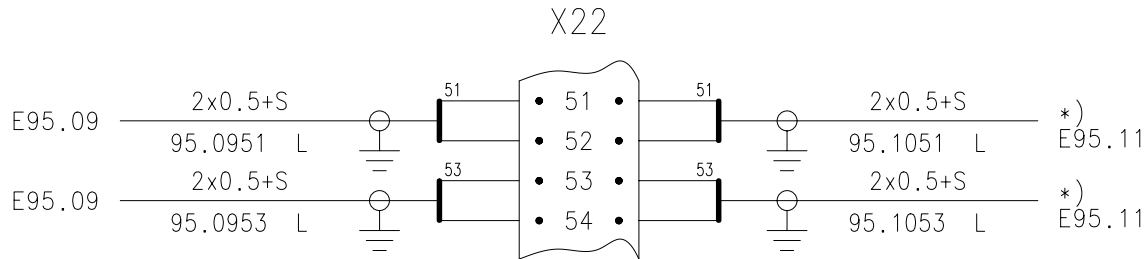
E95.09

.9		.8		.7		.6		.5		.4		.3		.2		.1		.0			
												12		3-107.351.245							
														WÄRTSILA		M.BUNER 03.02.05		WÄRTSILA		RT-flex84T-D	
														WÄRTSILA		Contr. M.BUNER/KOSCHNITZKE 16.02.05		RT-flex96C-B		CAD	
														WÄRTSILA		WIRING DIAGRAM		E95 / WECS-9520			

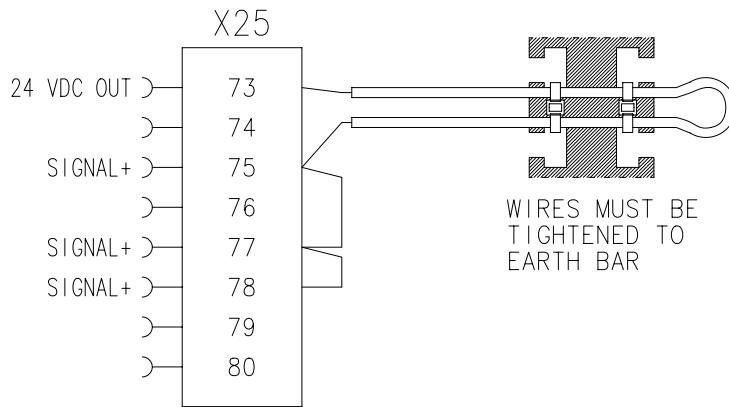
Wartsila Switzerland Ltd

Design group 9319
Origin/Ref.

Wartsila Switzerland Ltd. retains all rights in this drawing. By taking possession of the drawing the recipient recognizes and holds these rights. Neither the whole nor any part of this drawing may be used in any way for construction, fabrication or marketing or any other purpose nor copied in any way nor made accessible to third parties without the previous written consent of Wartsila Switzerland Ltd. In case of violation, the recipient will be liable to damages.



*) FOR 10 CYLINDER CONNECTED TO E96



E95.10

.9		.8		.7		.6		.5		.4		.3		.2		.1		.0	
										Drawn M.BUNER 03.02.05		Contr. M.BUNER/KOSCHNITZKE 16.02.05		WIRING DIAGRAM					
														E95 / WECS-9520					
														RT-flex84T-D					
														RT-flex96C-B					
														CAD					

3-107.351.245 13

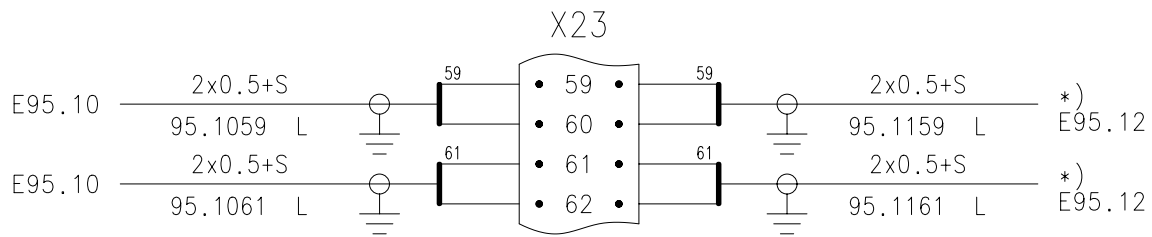
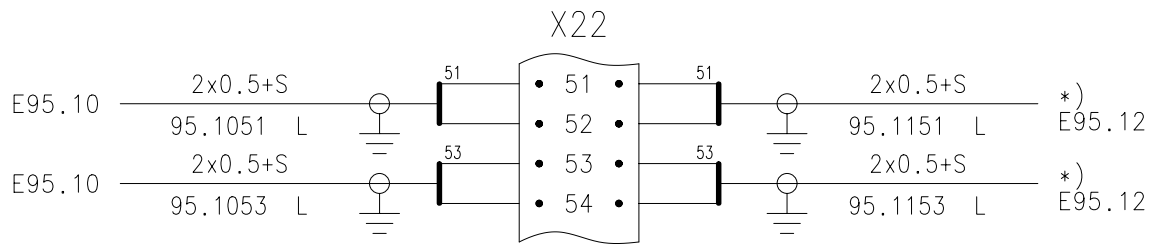


Wartsila Switzerland Ltd

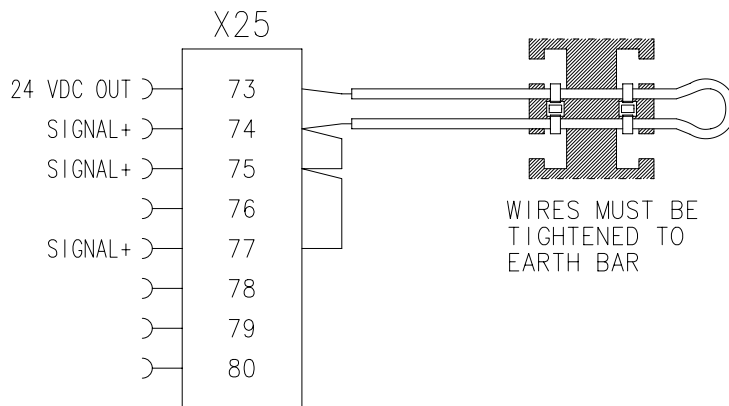
Design group 9319
Origin/Ref.

Mod.

Wartsila Switzerland Ltd. retains all rights in this drawing. By taking possession of the drawing the recipient recognizes and warrants these rights. Neither the whole nor any part of this drawing may be used in any way for construction, fabrication or marketing or any other purpose nor copied in any way nor made accessible to third parties without the previous written consent of Wartsila Switzerland Ltd. in case of violation, the recipient will be liable to damages.



*) FOR 11 CYLINDER CONNECTED TO E96

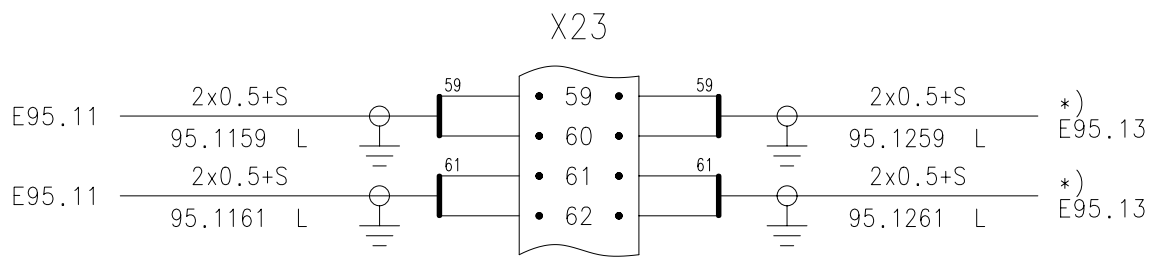
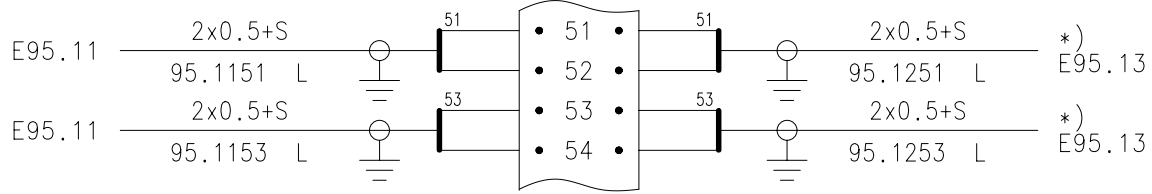


E95.11

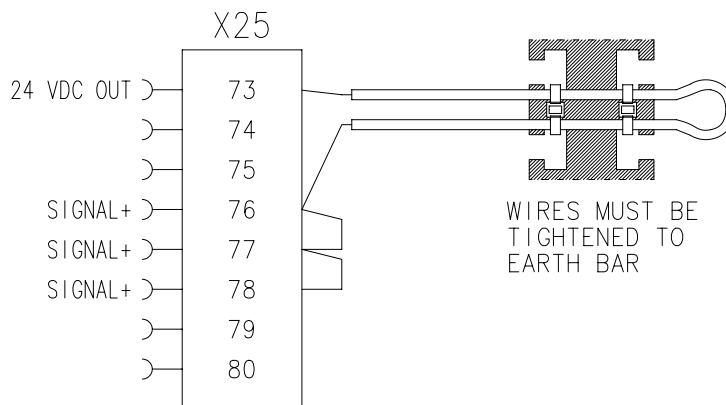
.9		.8		.7		.6		.5		.4		.3		.2		.1		.0	
										14		3-107.351.245							
												WÄRTSILA							
										M.BÜNER 03.02.05		M.BÜNER/KOSCHNITZKE 16.02.05		Drawn		Contr.			
												WIRING DIAGRAM							
												E95 / WECS-9520							
												RT-flex84T-D							
												RT-flex96C-B							
														Design group 9319					
														Origin/Ref.					
																		CAD	

Wartsila Switzerland Ltd

Wartsila Switzerland Ltd. retains all rights in this drawing. By taking possession of the drawing the recipient recognizes and declares these rights. Neither the whole nor any part of this drawing may be used in any way for construction, fabrication or marketing or any other purpose nor copied in any way nor made accessible to third parties without the previous written consent of Wartsila Switzerland Ltd. In case of violation, the recipient will be liable to damages.



*) FOR 12 CYLINDER
CONNECTED TO E96

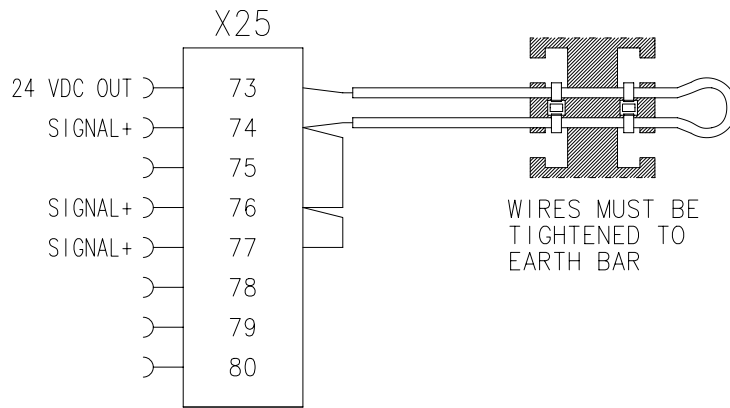
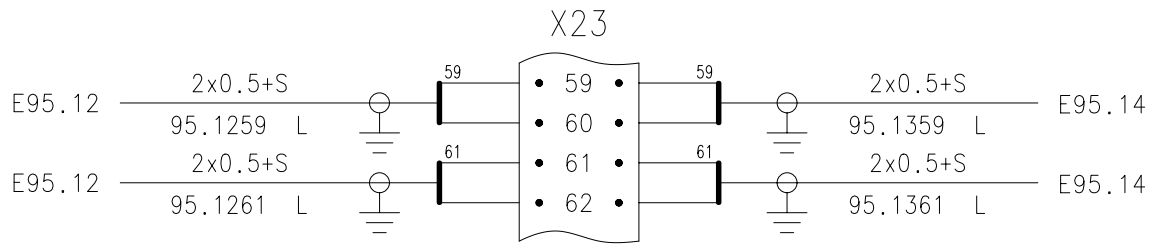
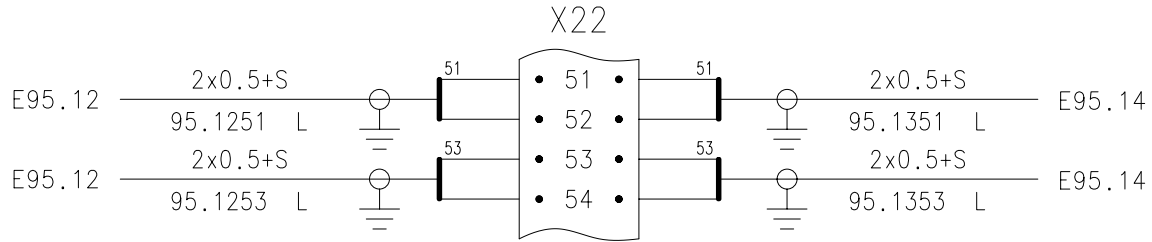


E95.12

.9		.8		.7		.6		.5		.4		.3		.2		.1		.0	
						3-107.351.245		 WARTSILA		Drawn M.BUNER 03.02.05 Contr. M.BUNER/KOSKINEN/TZAC 16.02.05		WIRING DIAGRAM E95 / WECS-9520		RT-flex84T-D RT-flex96C-B		Design group 9319 Origin/Ref.		CAD	

Wartsila Switzerland Ltd

Wartsila Switzerland Ltd. retains all rights in this drawing. By taking possession of the drawing the recipient recognizes and warrants these rights. Neither the whole nor any part of this drawing may be used in any way for construction, fabrication or marketing or any other purpose nor copied in any way nor made accessible to third parties without the previous written consent of Wartsila Switzerland Ltd. In case of violation, the recipient will be liable to damages.

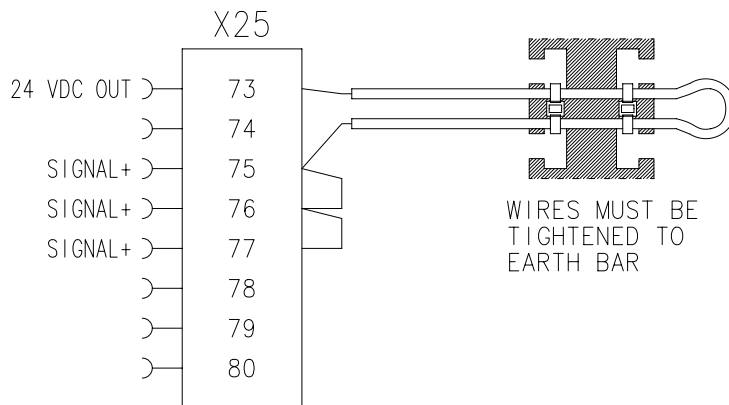
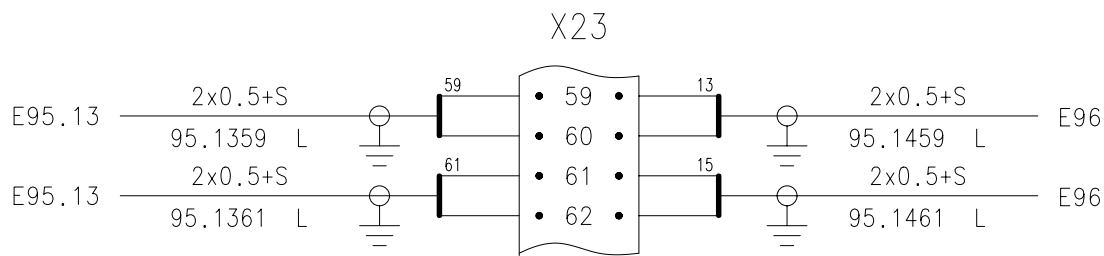
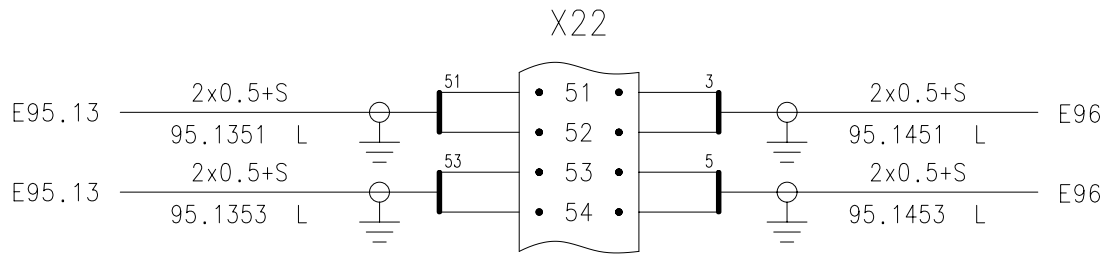


E95.13

.9		.8		.7		.6		.5		.4		.3		.2		.1		.0	
						16		3-107.351.245		WARTSILA		M.BUNER 03.02.05		WARTSILA		WIRING DIAGRAM		RT-flex84T-D	
												E95 / WECS-9520						RT-flex96C-B	
																		Design group 9319	
																		Origin/Ref.	
																		CAD	

Wartsila Switzerland Ltd

Wartsila Switzerland Ltd. retains all rights in this drawing. By taking possession of the drawing the recipient recognizes and warrants these rights. Neither the whole nor any part of this drawing may be used in any way for construction, fabrication or marketing or any other purpose nor copied in any way nor made accessible to third parties without the previous written consent of Wartsila Switzerland Ltd. In case of violation, the recipient will be liable to damages.



E95.14

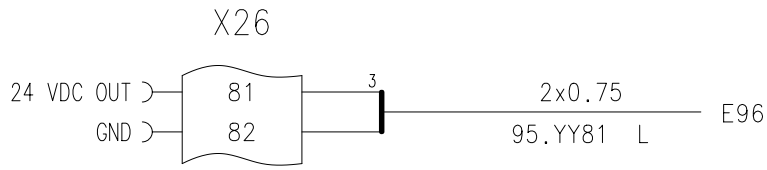
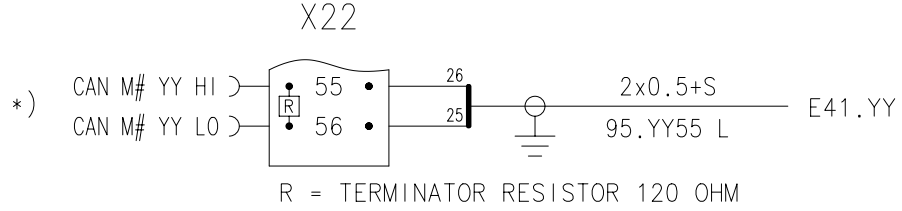
.9		.8		.7		.6		.5		.4		.3		.2		.1		.0	
										17		3-107.351.245		WARTSILA		M.BUNER 03.02.05		RT-flex84T-D	
												WARTSILA		M.BUNER/KOSMANTZKE 16.02.05		E95 / WECS-9520		RT-flex96C-B	
												WARTSILA				WIRING DIAGRAM		Design group 9319	
												WARTSILA				E95 / WECS-9520		Origin/ Ref.	
												WARTSILA				E95 / WECS-9520		CAD	

Wartsila Switzerland Ltd

Wartsila Switzerland Ltd. retains all rights in this drawing. By taking possession of the drawing the recipient recognizes and holds these rights. No part of the whole or any part of this drawing may be used in any way for construction, fabrication or marketing or any other purpose nor copied in any way nor made accessible to third parties without the previous written consent of Wartsila Switzerland Ltd. In case of violation, the recipient will be liable to damages.

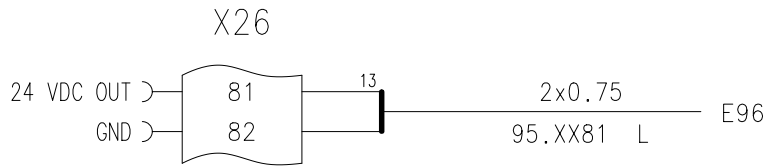
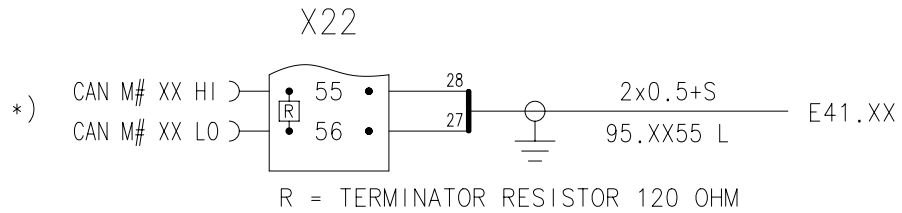
SECOND LAST CYLINDER

E95.YY



LAST CYLINDER

E95.XX



*) ONLY USED FOR PULSE JET LUBRICATION

.9	.8	.7	.6	.5	.4	.3	.2	.1	.0	WIRING DIAGRAM E95 / WECS-9520	Drawn M.BUNER 03.02.05	RT-flex84T-D RT-flex96C-B
											Contr. M.BUNER/KOSKUNTAZ 16.02.05	



Wartsila Switzerland Ltd

18

3-107.351.245

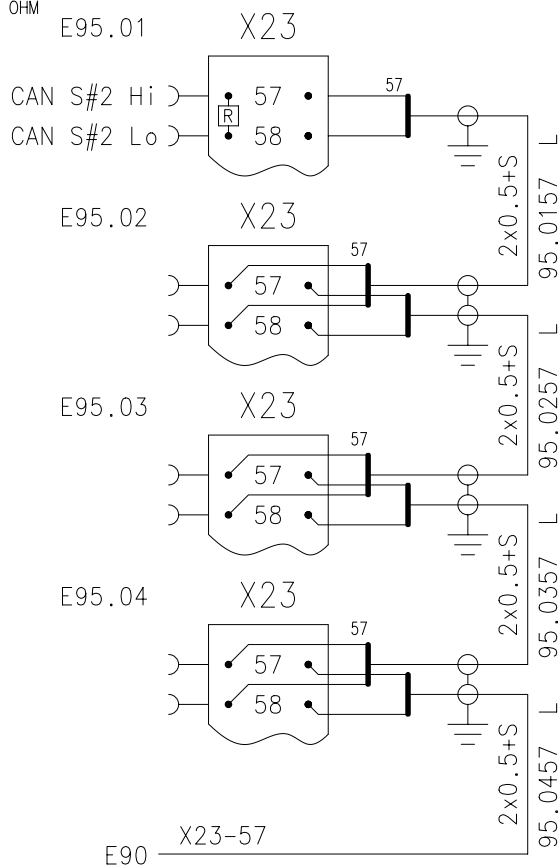
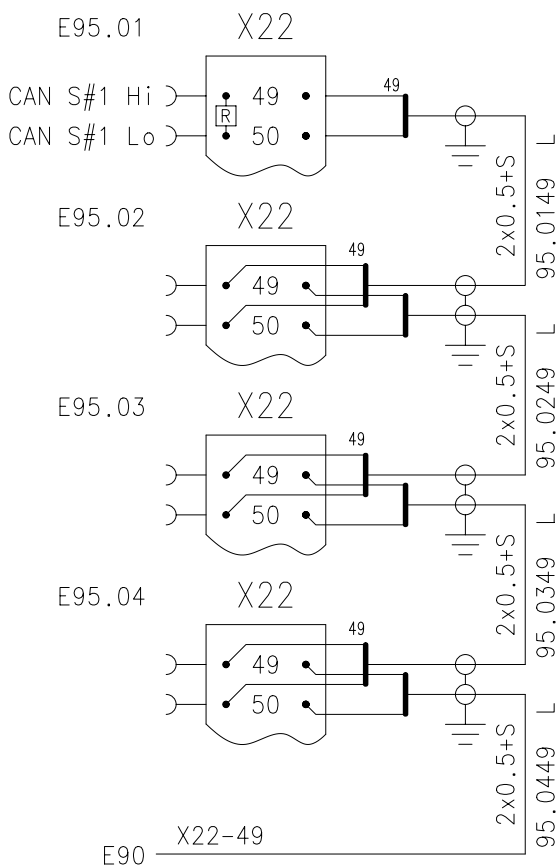
Mod.	c	7-37.120	27.09.05	Design group 9319
	d	7-42.146	09.03.06	Origin/Ref. .

CAD

FOR 9 RT-flex84T-D

R = TERMINATOR
RESISTOR
120 OHM

E95.01
TO
E95.10



SEE NEXT PAGE

Wartsila Switzerland Ltd retains all rights in this drawing. By taking possession of the drawing the recipient recognizes and warrants these rights. Neither the whole nor any part of this drawing may be used in any way for construction, fabrication or marketing or any other purpose nor copied in any way nor made accessible to third parties without the previous written consent of Wartsila Switzerland Ltd. In case of violation, the recipient will be liable to damages.

Mod.	b	7-34.935	19.07.05																	
------	---	----------	----------	--	--	--	--	--	--	--	--	--	--	--	--	--	--	--	--	--

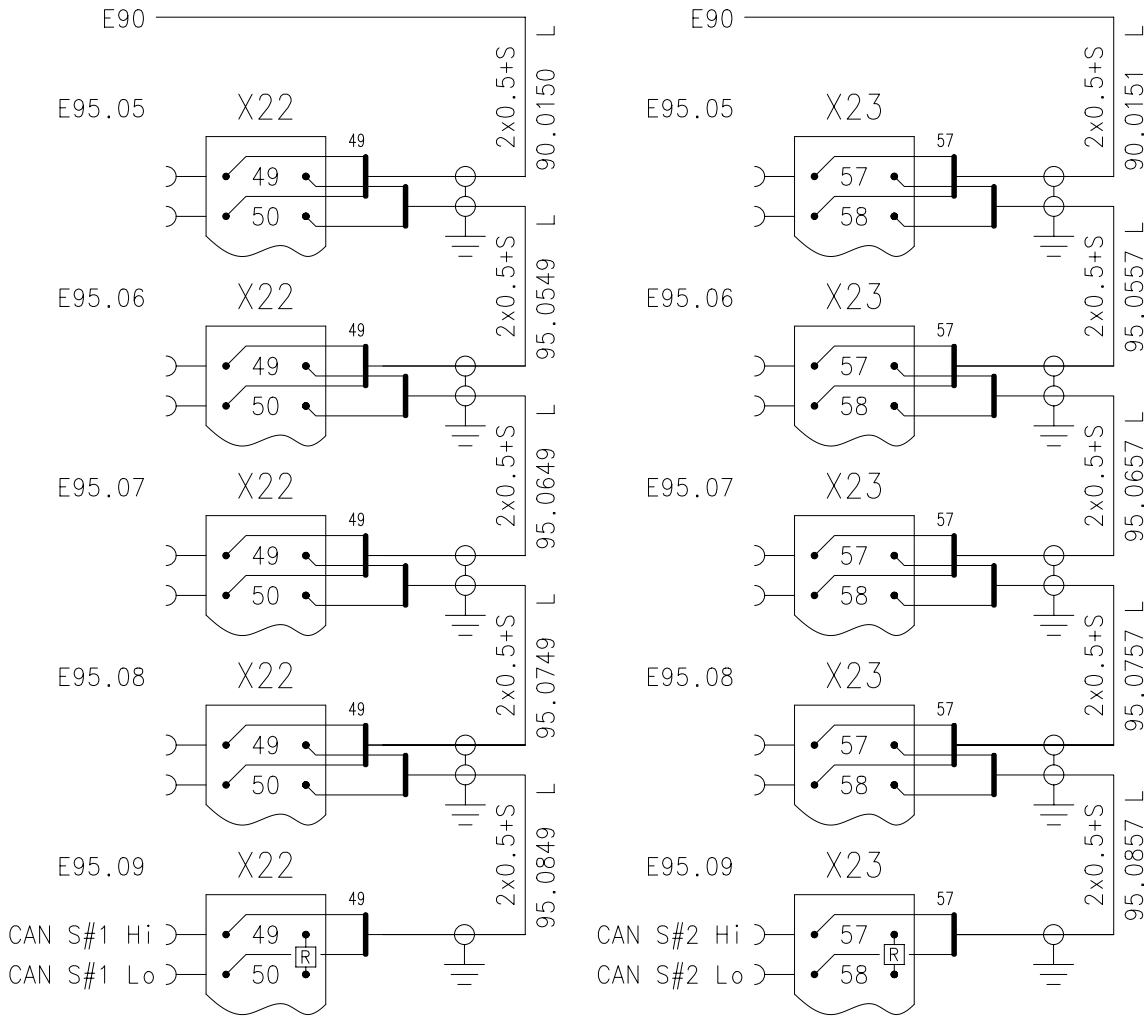
Design group 9319
Origin/ Ref.

										.9	
										.8	
										.7	
										.6	
										.5	
										.4	
										.3	
										.2	
										.1	
										.0	
RT-flex84T-D RT-flex96C-B										WIRING DIAGRAM E95 / WECS-9520	
										Drawn M.BUNER 03.02.05 Contr. M.BUNER/KOSMIN/TZAC 16.02.05	
										3-107.351.245 23	
										Wartsila Switzerland Ltd	
										WARTSILA	
										CAD	

FOR 9 RT-flex84T-D

E95.01
TO
E95.10

R = TERMINATOR
RESISTOR
120 OHM



Wartsila Switzerland Ltd. retains all rights to this drawing. By taking possession of the drawing the recipient recognizes and holds these rights. Neither the whole nor any part of this drawing may be used in any way for construction, fabrication or marketing or any other purpose nor copied in any way nor made accessible to third parties without the previous written consent of Wartsila Switzerland Ltd. in case of violation, the recipient will be liable to damages.

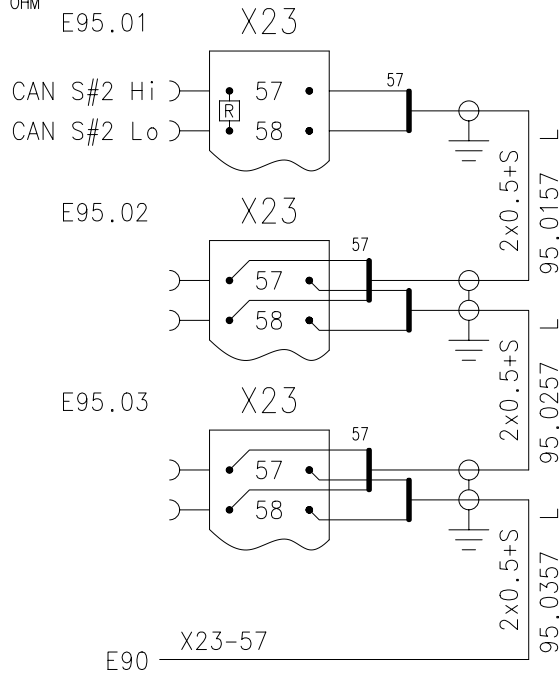
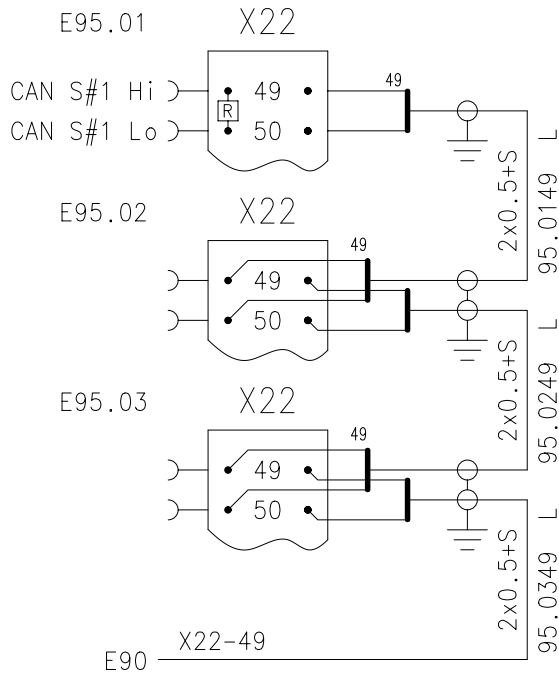
Mod.	b	7-34.935	19.07.05	Design group 9319	CAD

.0	.1	.2	.3	.4	.5	.6	.7	.8	.9		
WIRING DIAGRAM E95 / WECS-9520				Drawn M.BUNER 03.02.05 Contr. M.BUNER/KOSMINITZ 16.02.05		3-107.351.245		24		.	
<b style="font-size: 20px; vertical-align: middle;">WARTSILA Wartsila Switzerland Ltd										.	
RT-flex84T-D RT-flex96C-B											.

FOR 9 RT-flex96C-B

R = TERMINATOR
RESISTOR
120 OHM

E95.01
TO
E95.09



SEE NEXT PAGE

Wartsila Switzerland Ltd. reserves all rights in this drawing. By taking possession of the drawing the recipient recognizes and obtains these rights. Neither the whole nor any part of this drawing may be used in any way for construction, fabrication or marketing or any other purpose nor copied in any way nor made accessible to third parties without the previous written consent of Wartsila Switzerland Ltd. In case of violation, the recipient will be liable to damages.

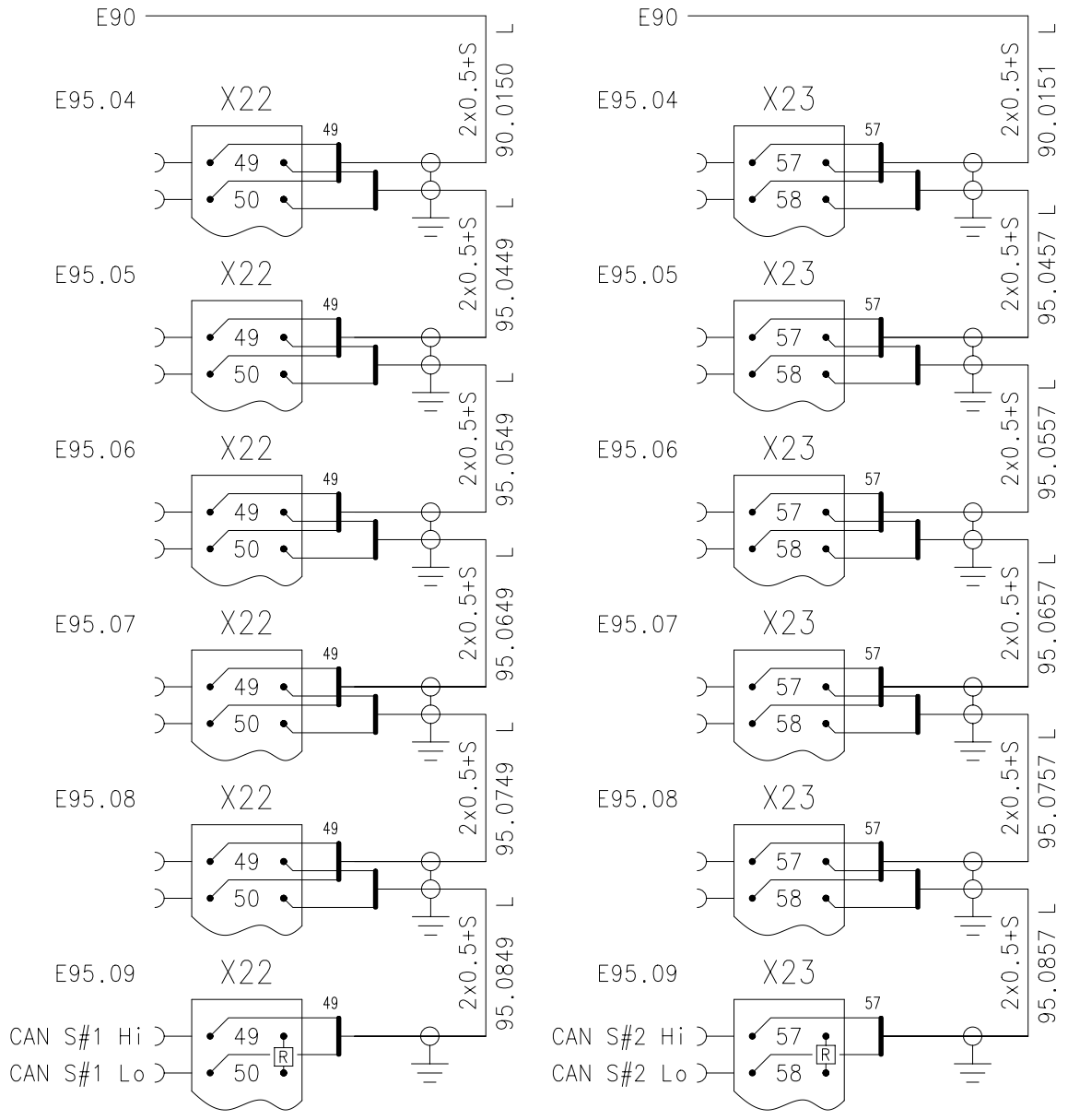
Mod.	b	7-34.935	19.07.05											Design group 9319	RT-flex84T-D RT-flex96C-B	WIRING DIAGRAM E95 / WECS-9520	Drawn M.BUNER 03.02.05 Contr. M.BUNER/M.KOSCHWITZ 16.02.05	3-107.351.245	25	.9	.8	.7	.6	.5	.4	.3	.2	.1	.0
														Origin/ Ref.															

WARTSILA
Wartsila Switzerland Ltd

FOR 9 RT-flex96C-B

E95.01
TO
E95.09

R = TERMINATOR
RESISTOR
120 OHM



Wartsila Switzerland Ltd. retains all rights in this drawing. By taking possession of the drawing the recipient recognizes and holds these rights. Neither the whole nor any part of this drawing may be used in any way for construction, fabrication or marketing or any other purpose nor copied in any way nor made accessible to third parties without the previous written consent of Wartsila Switzerland Ltd. In case of violation, the recipient will be liable to damages.

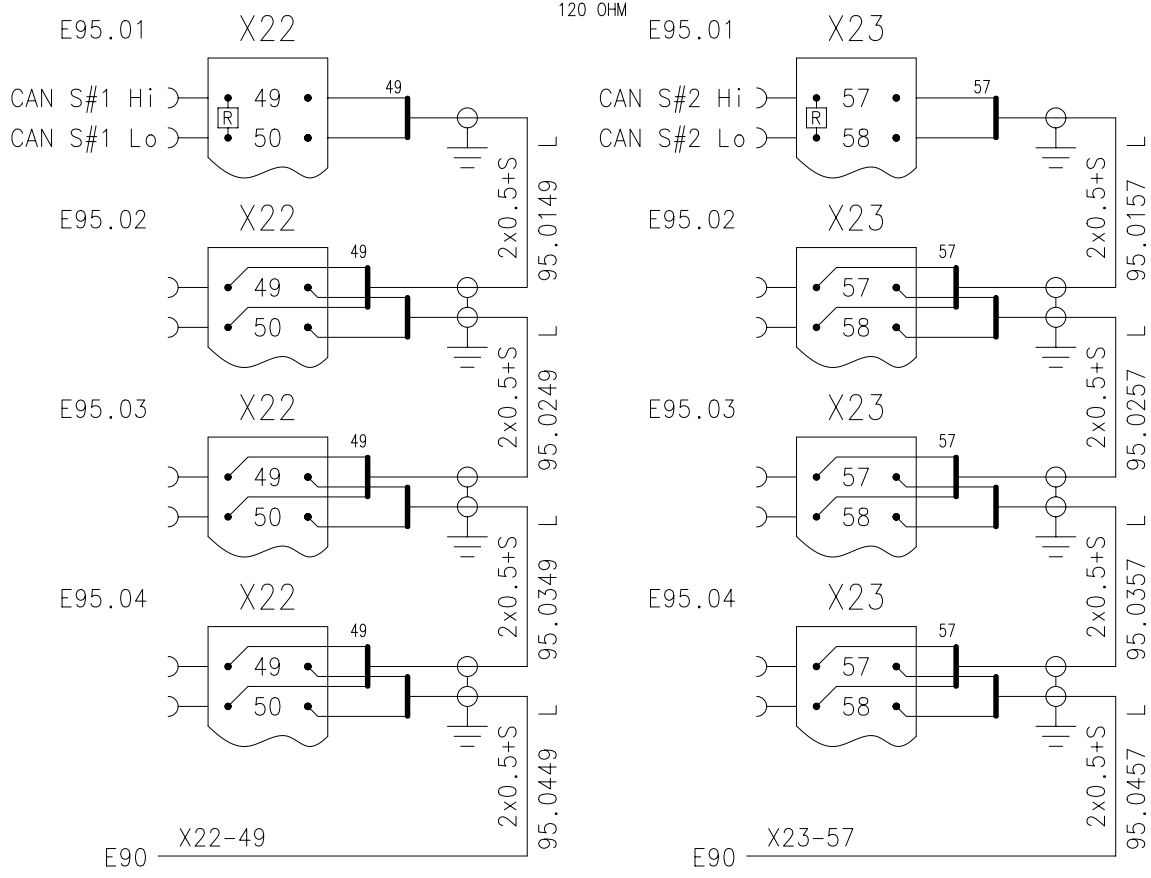
.0		.1		.2		.3		.4		.5		.6		.7		.8		.9	
RT-flex84T-D RT-flex96C-B										WIRING DIAGRAM E95 / WECS-9520									
Design group 9319										Drawn M.BUNER 03.02.05									
Origin/Ref.										Contr. M.BUNER/KOSMINITZKE 16.02.05									
CAD										3-107.351.245 26									
Wartsila Switzerland Ltd																			



FOR 10 CYLINDER ENGINE

E95.01
TO
E95.10

R = TERMINATOR
RESISTOR
120 OHM



SEE NEXT PAGE

Wartsila Switzerland Ltd. retains all rights to this drawing. By taking possession of this drawing the recipient recognizes and warrants these rights. Neither the whole nor any part of this drawing may be used in any way for construction, fabrication or marketing or any other purpose not copied in any way nor made accessible to third parties without the previous written consent of Wartsila Switzerland Ltd. In case of violation, the recipient will be liable to damages.

Mod.	b 7-34.935	19.07.05	(). (). (). (). (). (). ().							Design group 9319	CAD
			Origin/Ref.								

RT-flex84T-D
RT-flex96C-B
WIRING DIAGRAM
E95 / WECS-9520

Drawn M.BINER 03.02.05
Contr. M.BINER/M.KOSHWATZ 16.02.05



3-107.351.245 27

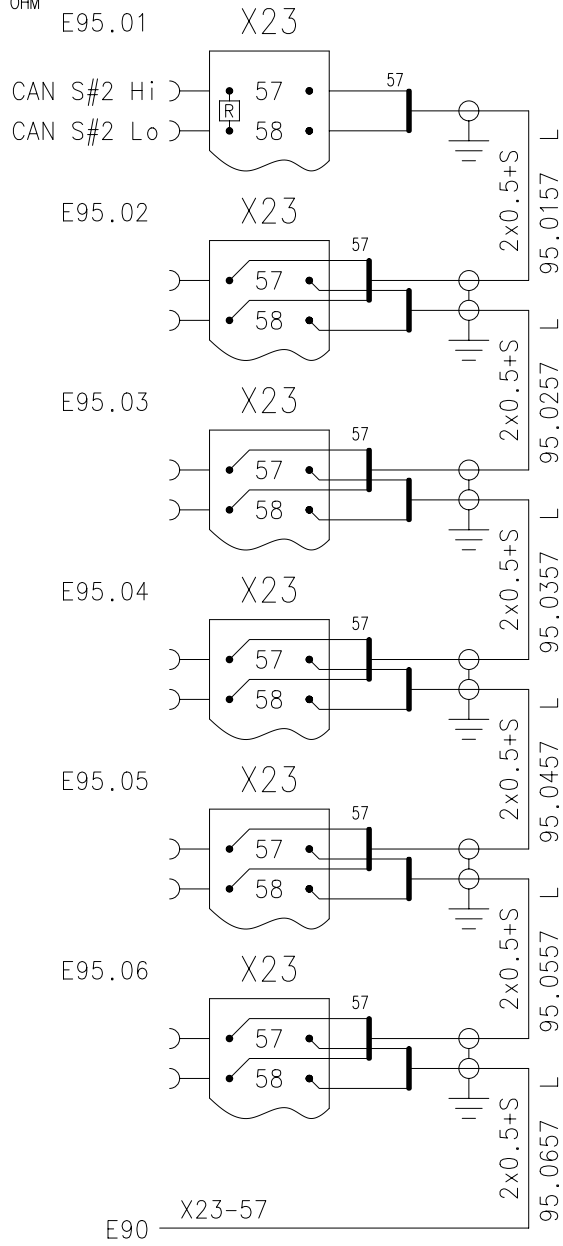
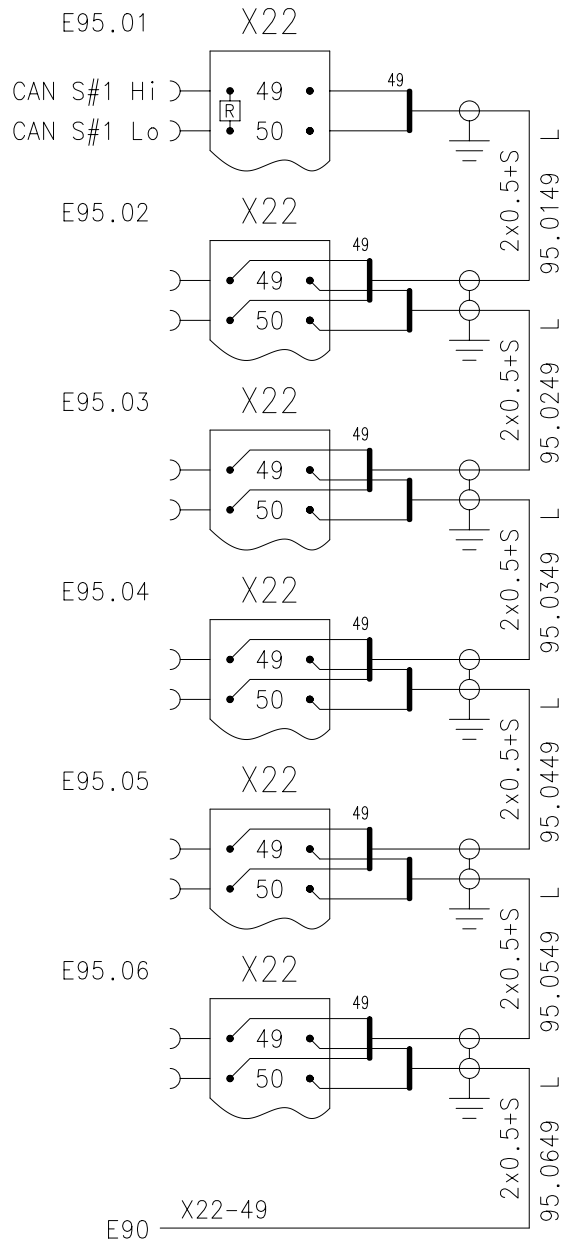
Wartsila Switzerland Ltd

.0 .1 .2 .3 .4 .5 .6 .7 .8 .9

FOR 11 CYLINDER ENGINE

E95.01
TO
E95.11

R = TERMINATOR
RESISTOR
120 OHM



SEE NEXT PAGE

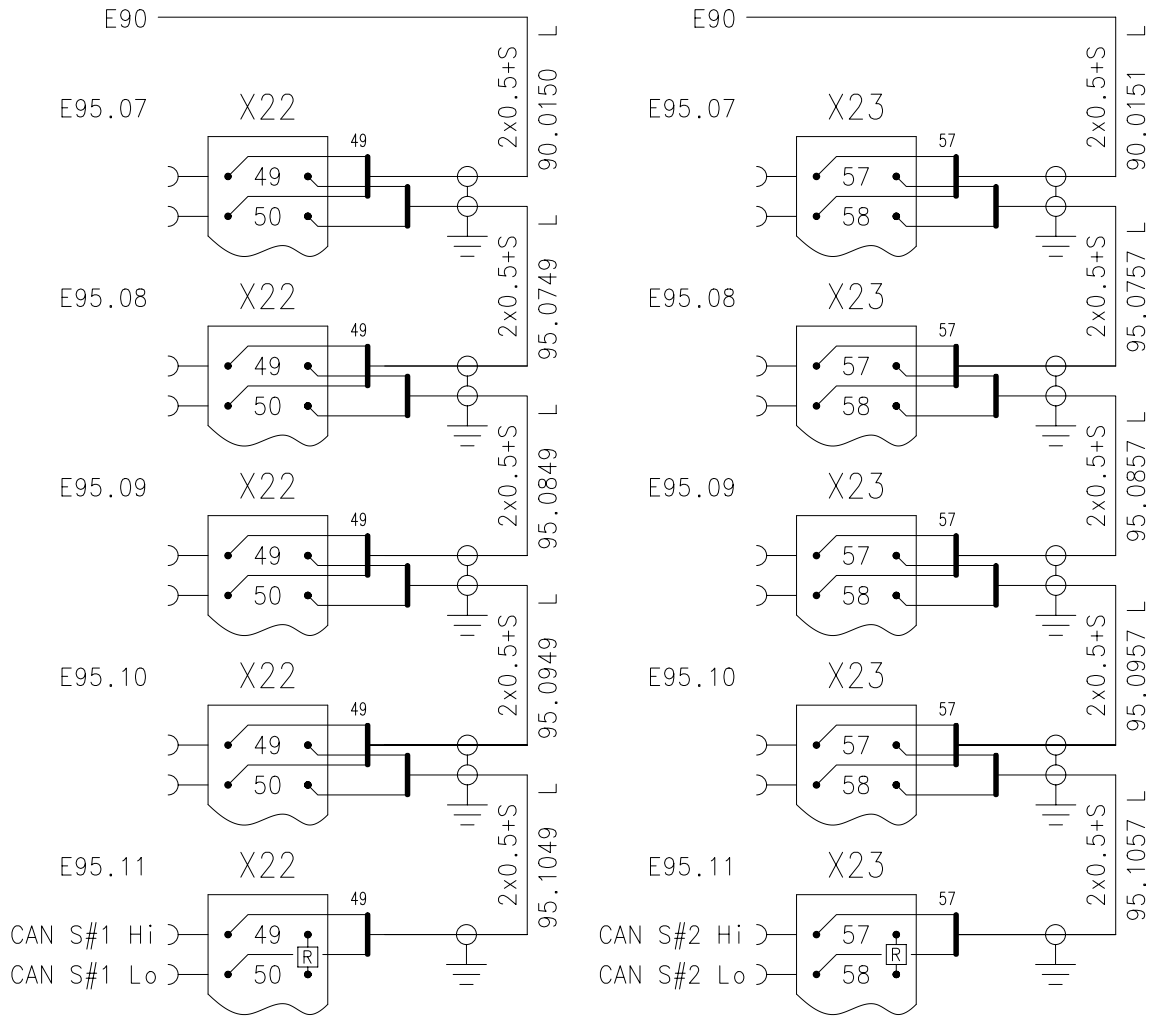
Wartsila Switzerland Ltd. retains all rights in this drawing. By taking possession of the drawing the recipient recognizes and agrees these rights. No part of the drawing may be reproduced, stored in a retrieval system, or used in any way for construction, fabrication or marketing of any other purpose without the prior written consent of Wartsila Switzerland Ltd. In case of violation, the recipient will be liable to damages.

.0	.1	.2	.3	.4	.5	.6	.7	.8	.9	
WIRING DIAGRAM E95 / WECS-9520					 WARTSILA Wartsila Switzerland Ltd		3-107.351.245			29
RT-flex84T-D RT-flex96C-B		Drawn: M.BUNER 03.02.05 Contr.: M.BUNER/KOSKONITZE 16.02.05								•
Design group: 9319 Origin/Ref.:										
CAD										

FOR 11 CYLINDER ENGINE

R = TERMINATOR
RESISTOR
120 OHM

E95.01
TO
E95.11



Wartsila Switzerland Ltd. retains all rights in this drawing. By taking possession of the drawing the recipient recognizes and holds these rights. Neither the whole nor any part of this drawing may be used in any way for construction, fabrication or marketing or any other purpose nor copied in any way nor made accessible to third parties without the previous written consent of Wartsila Switzerland Ltd. In case of violation, the recipient will be liable to damages.

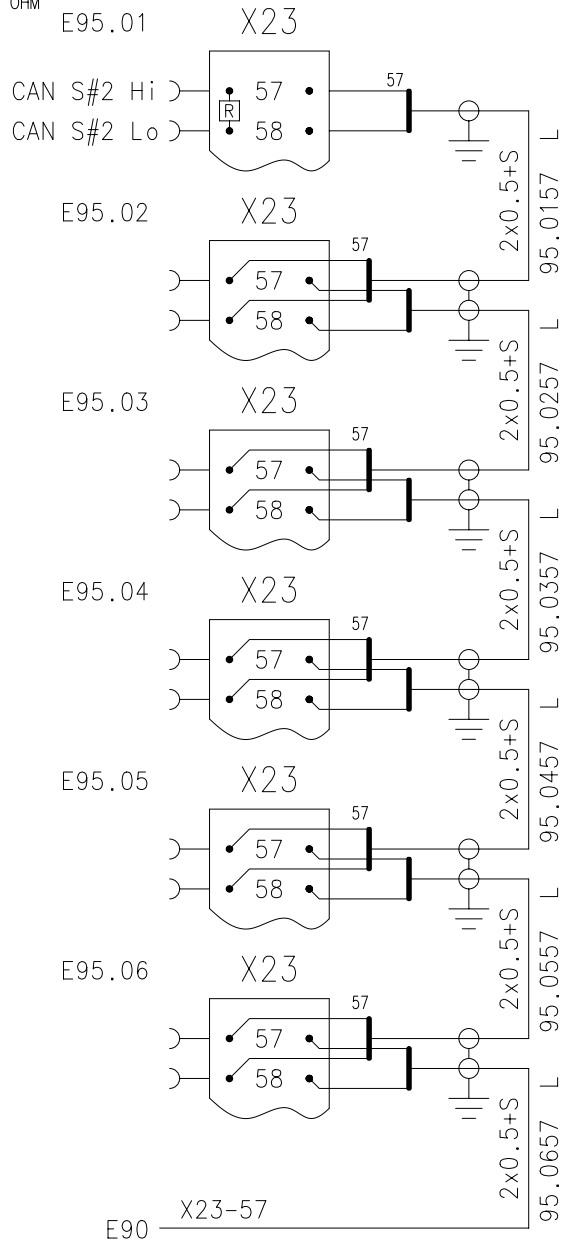
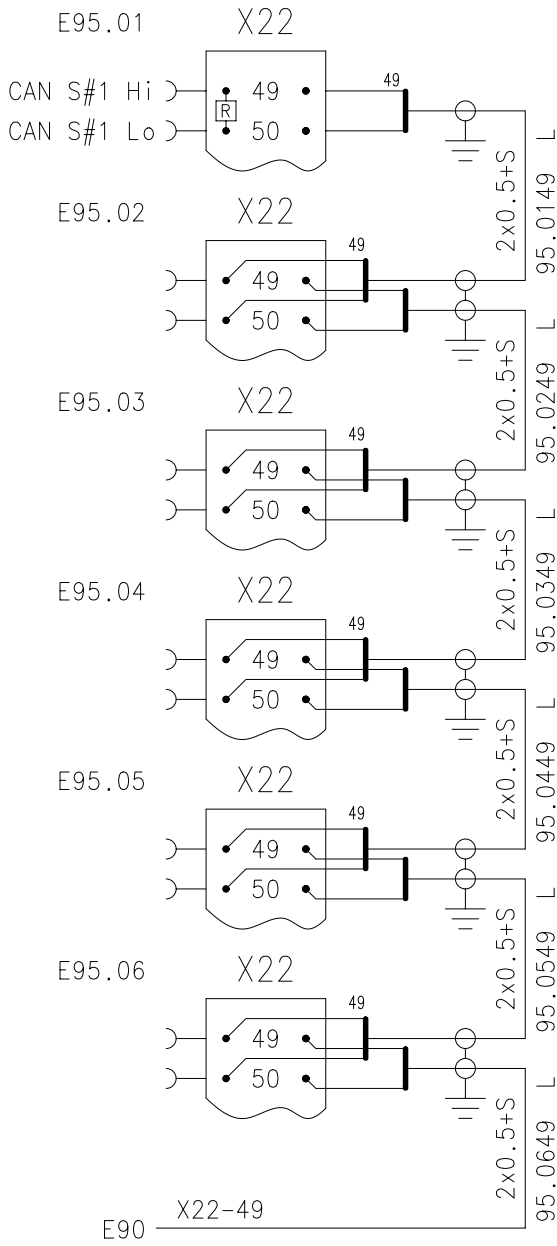
RT-flex84T-D RT-flex96C-B		WIRING DIAGRAM E95 / WECS-9520				3-107.351.245		30		E95.01 TO E95.11									
.0		.1		.2		.3		.4		.5		.6		.7		.8		.9	
Design group 9319		Drawn M.BUNER 03.02.05		Contr. M.BUNER/KOSMINTZKE 16.02.05															
CAD																			

Wartsila Switzerland Ltd

FOR 12 CYLINDER ENGINE

E95.01
TO
E95.12

R = TERMINATOR
RESISTOR
120 OHM



SEE NEXT PAGE

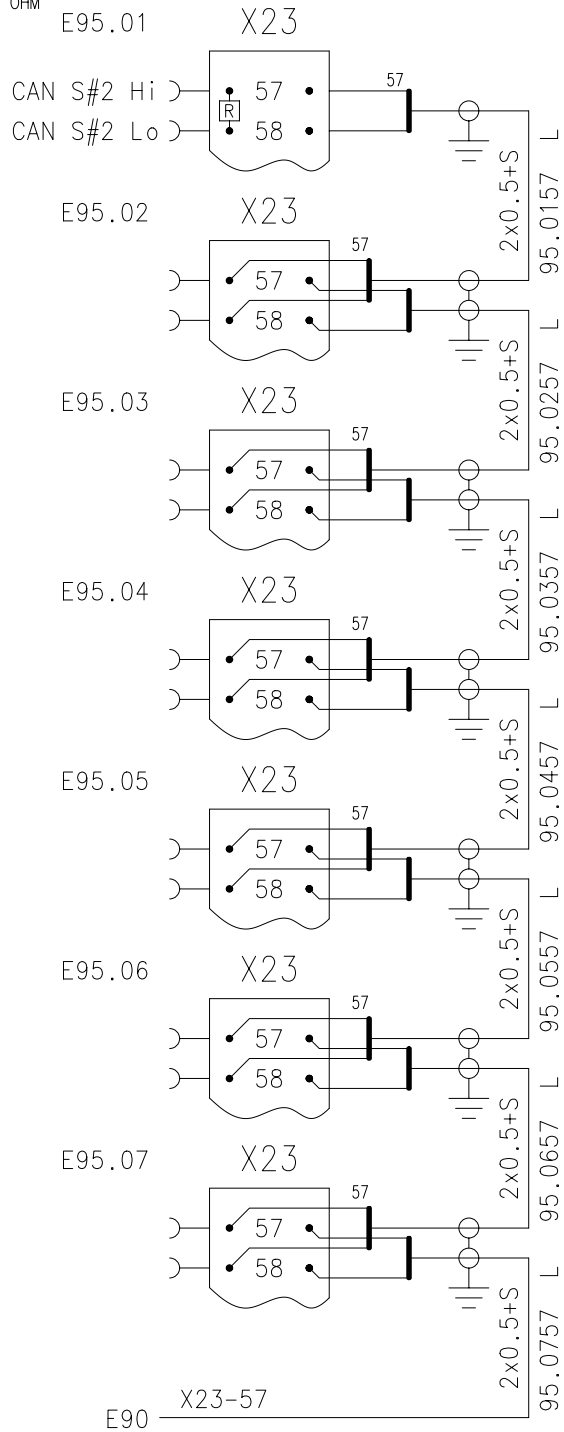
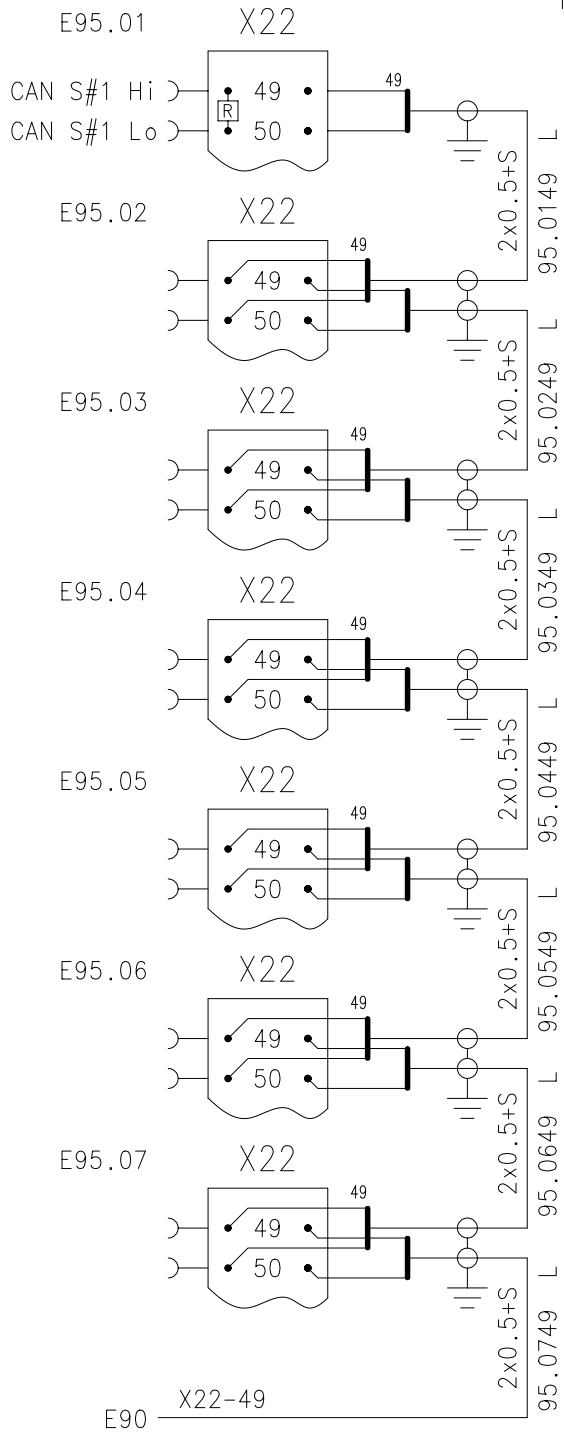
Wartsila Switzerland Ltd. retains all rights in this drawing. By taking possession of the drawing the recipient recognizes and warrants these rights. No part of the whole or any part of this drawing may be used in any way for construction, fabrication or marketing or any other purpose nor copied in any way nor made accessible to third parties without the previous written consent of Wartsila Switzerland Ltd. In case of violation, the recipient will be liable to damages.

.9		.8		.7		.6		.5		.4		.3		.2		.1		.0	
3-107.351.245										31		Drawn M.BUNER 03.02.05		Contr. M.BUNER/KOSHWITZ 16.02.05		RT-flex84T-D		RT-flex96C-B	
WÄRTSILA										Wartsila Switzerland Ltd		WIRING DIAGRAM		E95 / WECS-9520		Design group 9319		Origin/ Ref.	
																		CAD	

FOR 14 CYLINDER ENGINE

E95.01
TO
E95.14

R = TERMINATOR
RESISTOR
120 OHM

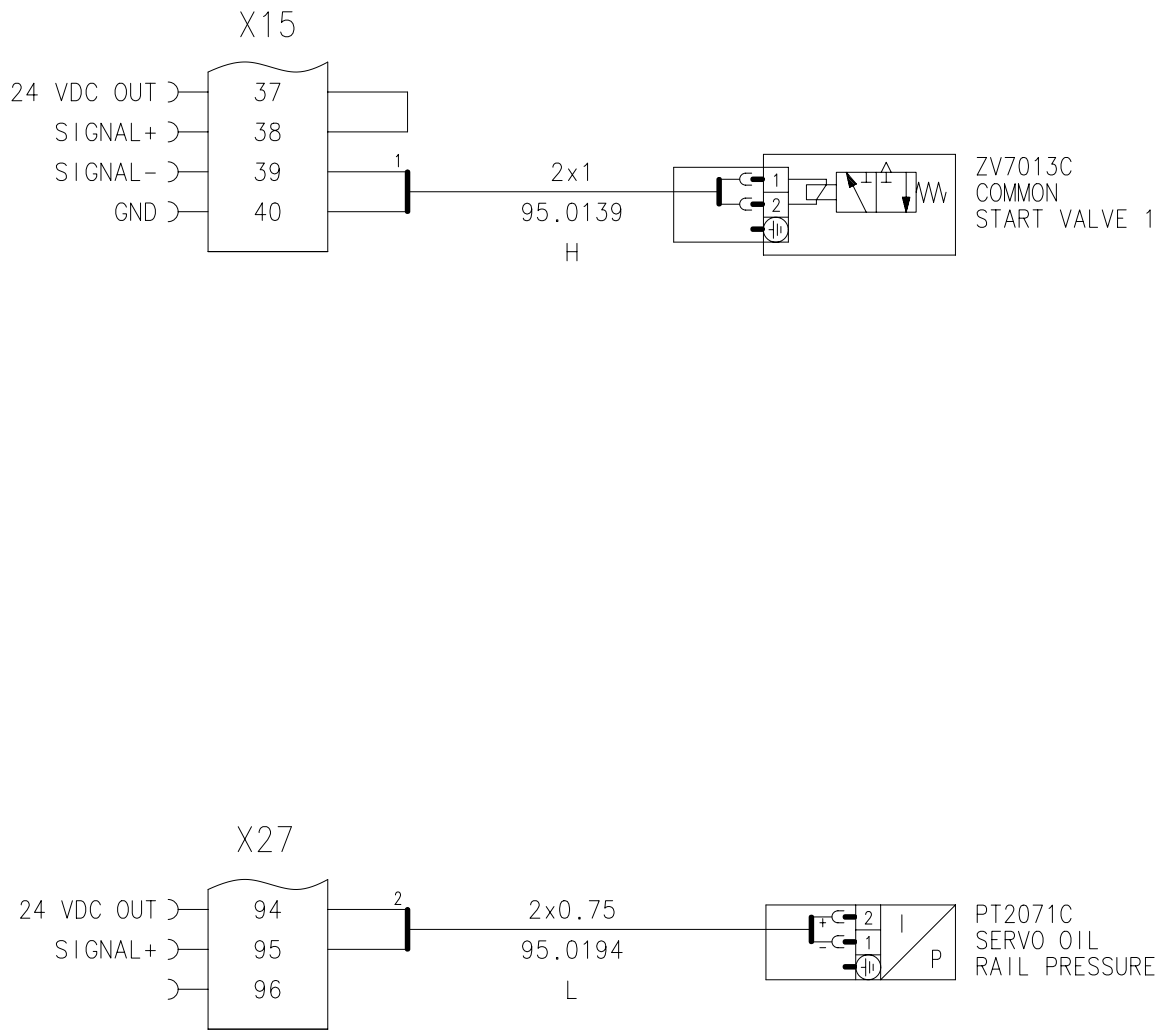


SEE NEXT PAGE

Wartsila Switzerland Ltd. retains all rights in this drawing. By taking possession of the drawing the recipient recognizes and warrants these rights. No part of this drawing may be used in any way for construction, fabrication or marketing or any other purpose not copied in any way nor made accessible to third parties without the previous written consent of Wartsila Switzerland Ltd. In case of violation, the recipient will be liable to damages.

.9		.8		.7		.6		.5		.4		.3		.2		.1		.0	
3-107.351.245										33		WIRING DIAGRAM		E95 / WECS-9520		RT-flex84T-D		RT-flex96C-B	
Wartsila Switzerland Ltd										Drawn M.BUNER 03.02.05		Contr. M.BUNER/KOSKINEN 16.02.05		Design group 9319		Origin/Ref.		CAD	

Wartsila Switzerland Ltd. retains all rights in this drawing. By taking possession of the drawing the recipient recognizes and warrants these rights. Neither the whole nor any part of this drawing may be used in any way for construction, fabrication or marketing or any other purpose nor copied in any way nor made accessible to third parties without the previous written consent of Wartsila Switzerland Ltd. In case of violation, the recipient will be liable to damages.

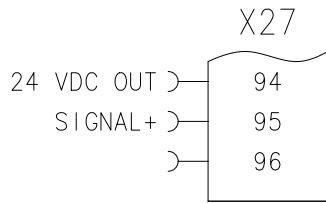


E95.01

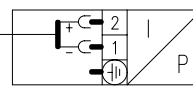
.9		.8		.7		.6		.5		.4		.3		.2		.1		.0	
3-107.351.245										35		Drawn M.BUNER 03.02.05		Contr. M.BUNER/KOSCHNITZKE 16.02.05		RT-flex84T-D		RT-flex96C-B	
WÄRTSILA										Wartsila Switzerland Ltd		WIRING DIAGRAM		E95 / WECS-9520					

Mod.	Design group 9319	CAD	
	Origin/Ref.		

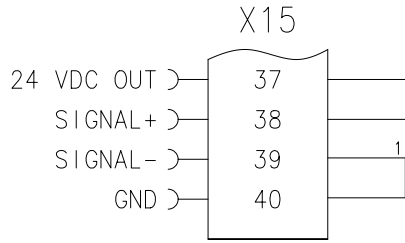
Wartsila Switzerland Ltd. retains all rights in this drawing. By taking possession of the drawing the recipient recognizes and warrants these rights. Whether the whole or any part of this drawing may be used in any way for construction, fabrication or marketing or any other purpose not copied in any way nor made accessible to third parties without the previous written consent of Wartsila Switzerland Ltd. in case of violation, the recipient will be liable to damages.



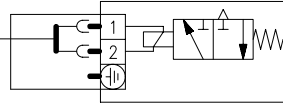
2x0.75
95.0294
L



PT2072C
SERVO OIL
RAIL PRESSURE



2x1
95.0239
H

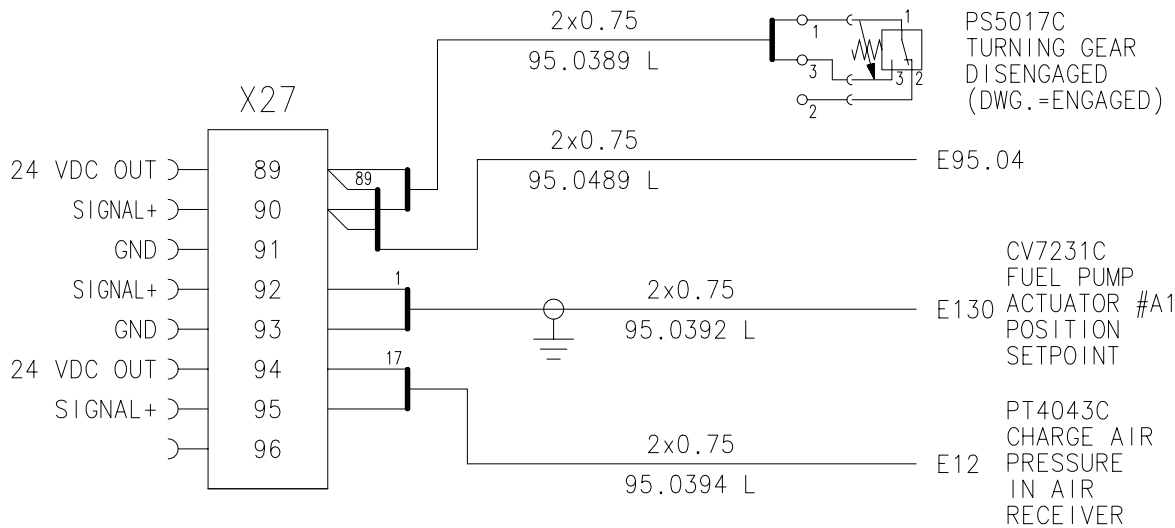
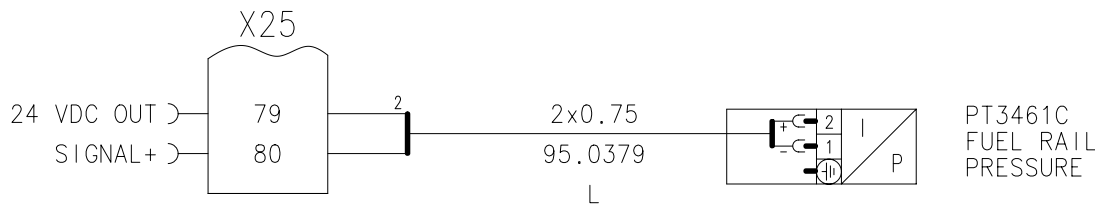
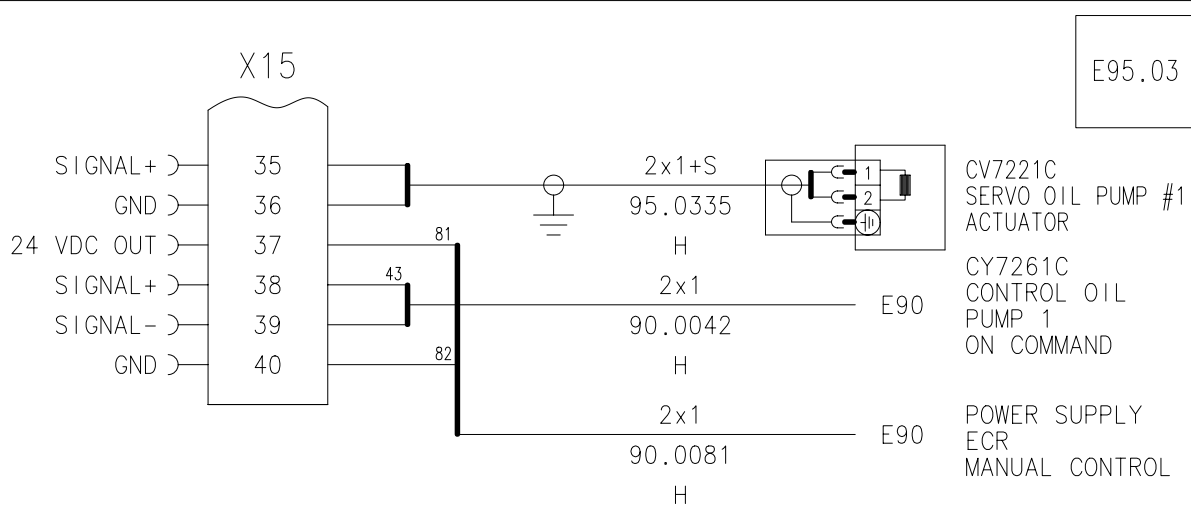


ZV7014C
COMMON
START VALVE 2

E95.02

.0		.1		.2		.3		.4		.5		.6		.7		.8		.9	
RT-flex84T-D		WIRING DIAGRAM		E95 / WECS-9520		Drawn M.BUNER 03.02.05		Contr. M.BUNER/KOSMANTZE 16.02.05		3-107.351.245		36							
Mod.										WARTSILA		Wartsila Switzerland Ltd							
										Design group 9319									
										Origin/Ref.									
										CAD									

Wartsila Switzerland Ltd. retains all rights in this drawing. By taking possession of the drawing the recipient recognizes and warrants these rights. Neither the whole nor any part of this drawing may be used in any way for construction, fabrication or marketing or any other purpose nor copied in any way nor made accessible to third parties without the previous written consent of Wartsila Switzerland Ltd. In case of violation, the recipient will be liable to damages.



NUMBER OF SERVO OIL PUMPS	2	3	4	5	6
RT-flex84T-D	6+7 CYL.	8+9 CYL.	---	---	---
RT-flex96C-B	---	---	6-8 CYL.	9-11 CYL.	12-14 CYL.

E95.03

CV7221C
SERVO OIL PUMP #1
ACTUATOR

CY7261C
CONTROL OIL
PUMP 1
ON COMMAND

E90

E90

POWER SUPPLY
ECR
MANUAL CONTROL

PT3461C
FUEL RAIL
PRESSURE

PS5017C
TURNING GEAR
DISENGAGED
(DWG.=ENGAGED)

E95.04

E130

CV7231C
FUEL PUMP
ACTUATOR #A1
POSITION
SETPOINT

E12

PT4043C
CHARGE AIR
PRESSURE
IN AIR
RECEIVER

WIRING DIAGRAM
E95 / WECS-9520

3-107.351.245

37

WARTSILA

Wartsila Switzerland Ltd

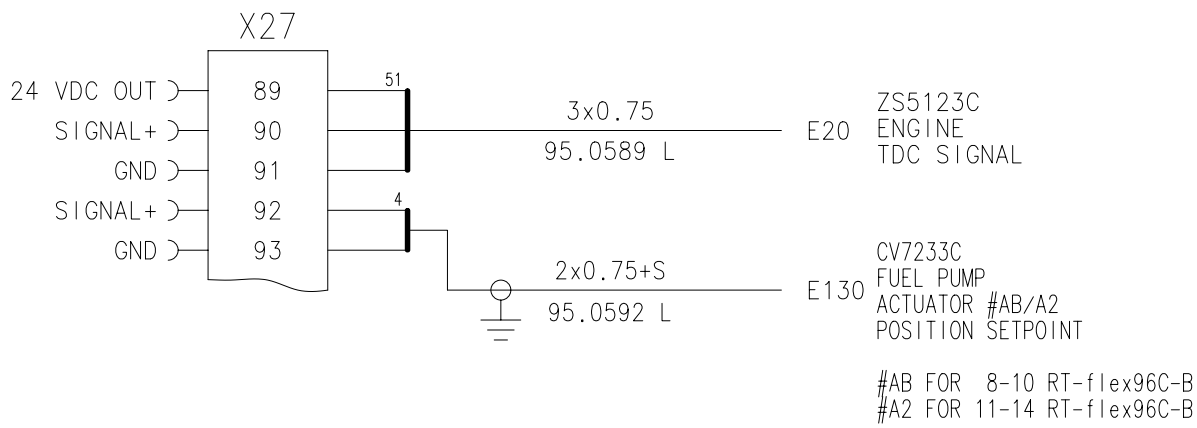
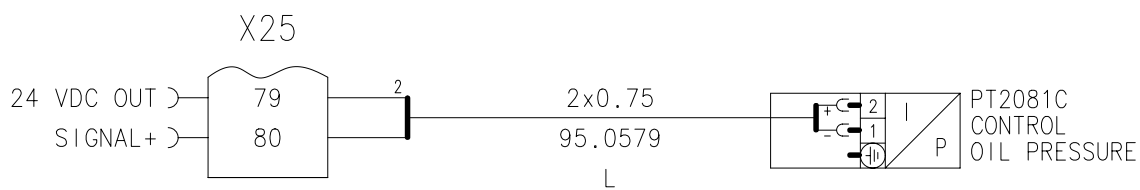
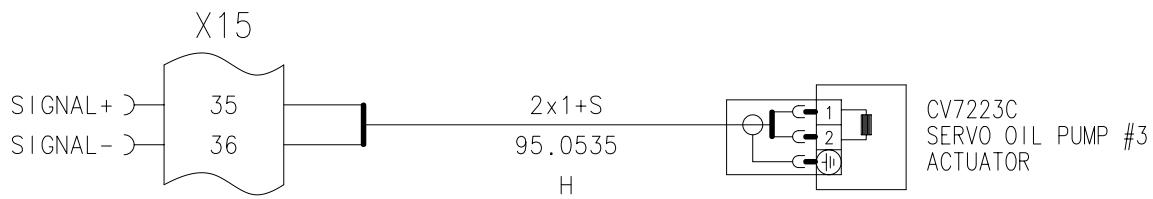
Drawn M.BUNER 03.02.05
Contr. M.BUNER/KOSCHNITZKE 16.02.05

RT-flex84T-D
RT-flex96C-B

Design group 9319
Origin/ Ref.

CAD

Wartsila Switzerland Ltd. retains all rights in this drawing. By taking possession of the drawing the recipient recognizes and warrants these rights. Neither the whole nor any part of this drawing may be used in any way for construction, fabrication or marketing or any other purpose nor copied in any way nor made accessible to third parties without the previous written consent of Wartsila Switzerland Ltd. In case of violation, the recipient will be liable to damages.



E95.05

NUMBER OF SERVO OIL PUMPS	2	3	4	5	6
RT-flex84T-D	6+7 CYL.	8+9 CYL.	---	---	---
RT-flex96C-B	---	---	6-8 CYL.	9-11 CYL.	12-14 CYL.

3-107.351.245
39



Wartsila Switzerland Ltd

Drawn M.BUNER 03.02.05
Contr. M.BUNER/KOSKUNTZE 16.02.05

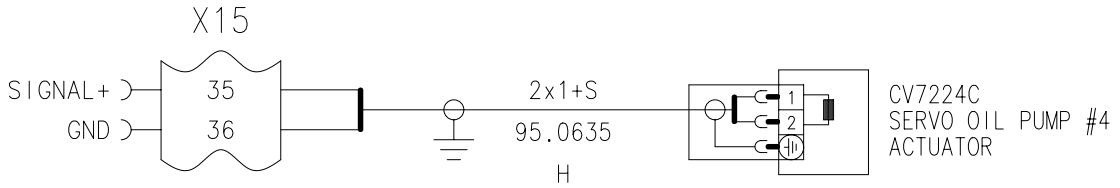
WIRING DIAGRAM
 E95 / WECS-9520

RT-flex84T-D
 RT-flex96C-B

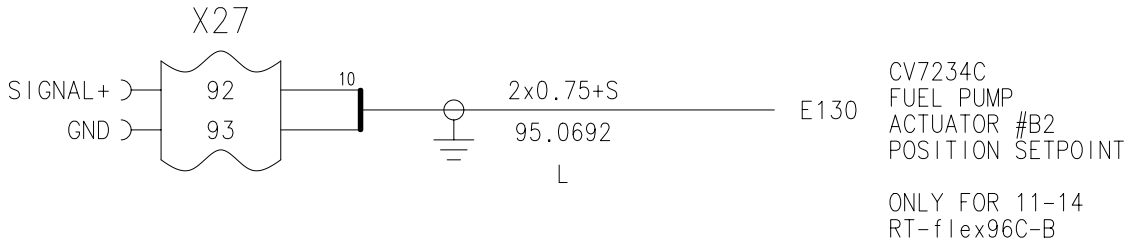
Design group 9319
Origin/Ref.

CAD

Wartsila Switzerland Ltd. retains all rights in this drawing. By taking possession of this drawing the recipient recognizes and admits these rights. Neither the whole nor any part of this drawing may be used in any way for construction, fabrication or marketing or any other purpose nor copied in any way nor made accessible to third parties without the previous written consent of Wartsila Switzerland Ltd. in case of violation, the recipient will be liable to damages.



E95.06



NUMBER OF SERVO OIL PUMPS	2	3	4	5	6
RT-flex84T-D	6+7 CYL.	8+9 CYL.	---	---	---
RT-flex96C-B	---	---	6-8 CYL.	9-11 CYL.	12-14 CYL.

3-107.351.245 40



Wartsila Switzerland Ltd

WIRING DIAGRAM
E95 / WECS-9520

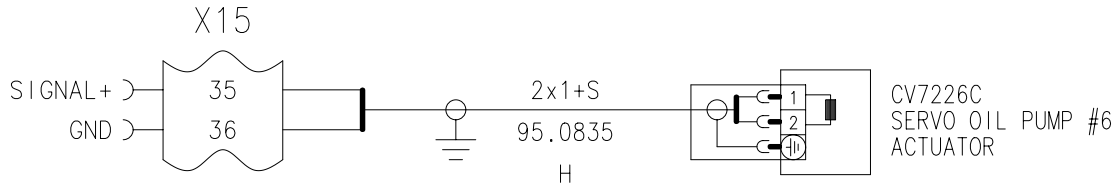
RT-flex84T-D
RT-flex96C-B

Mod.	b	7-34.935	19.07.05	()	.	.	()	.	()	.	()	.	Design group 9319
	c	7-37.120	27.09.05	()	.	.	()	.	()	.	()	.	Origin/Ref. .

CAD

Wartsila Switzerland Ltd. retains all rights in this drawing. By taking possession of the drawing the recipient recognizes and warrants these rights. Neither the whole nor any part of this drawing may be used in any way for construction, fabrication or marketing or any other purpose nor copied in any way nor made accessible to third parties without the previous written consent of Wartsila Switzerland Ltd. In case of violation, the recipient will be liable to damages.

NUMBER OF SERVO OIL PUMPS	2	3	4	5	6
RT-flex84T-D	6+7 CYL.	8+9 CYL.	---	---	---
RT-flex96C-B	---	---	6-8 CYL.	9-11 CYL.	12-14 CYL.



E95.08

.9		.8		.7		.6		.5		.4		.3		.2		.1		.0	
3-107.351.245										42		RT-flex84T-D		WIRING DIAGRAM		E95 / WECS-9520		RT-flex96C-B	
WARTSILA										WARTSILA		M.BÜNER 03.02.05		M.BÜNER/KOSCHNITZKE 16.02.05		Drawn		Contr.	
Wartsila Switzerland Ltd																			

Mod.	b	7-34.935	19.07.05	○	.	.	○	.	○	.	○	.	○	.	○	.	○	.	○	.	Design group 9319
	c	7-37.120	27.09.05	○	.	.	○	.	○	.	○	.	○	.	○	.	○	.	○	.	Origin/Ref.

CAD