

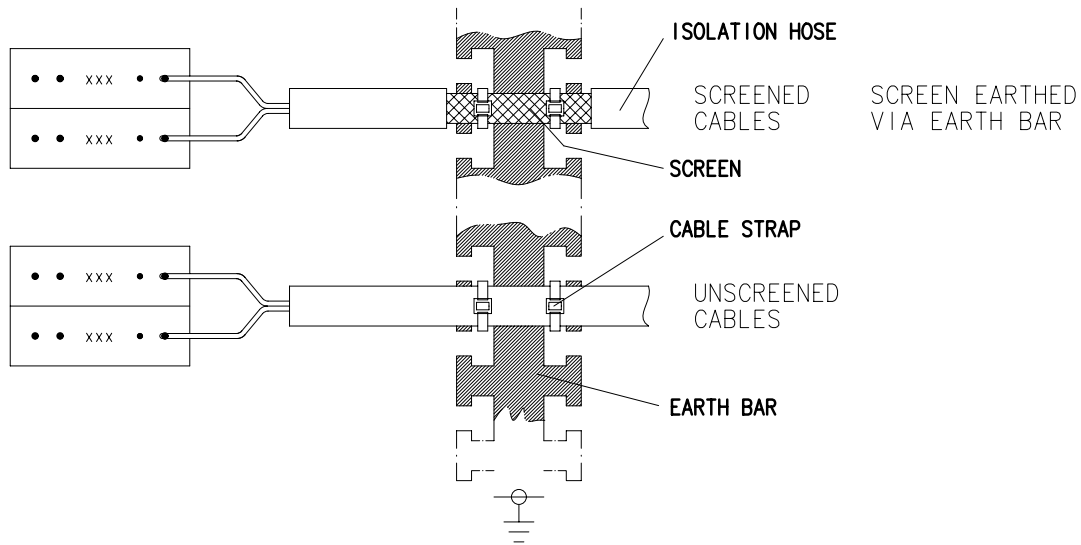
# WIRING DIAGRAM CONTROL BOX E90

**CABLING NOTES:**

- L = LOW LEVEL CABLE IN LOW LEVEL STEEL TRAY
- H = HIGH LEVEL CABLE IN HIGH LEVEL STEEL TRAY
- NO CABLE END SLEEVES

CABLE CORE TABLE SEE  
BOX E85

**CABLE CONNECTION AND FASTENING**



MAXIMUM DISTANCE BETWEEN E85 AND E90

10 m WITH $n = 1.5 \text{ mm}^2$
20 m WITH $n = 2.5 \text{ mm}^2$
30 m WITH $n = 4.0 \text{ mm}^2$

DYNEX

Wartsila Switzerland Ltd. retains all rights in this drawing. By taking possession of the drawing the recipient recognizes and warrants these rights. No part of the whole or any part of this drawing may be used in any way for construction, fabrication or marketing or any other purpose nor copied in any way nor made accessible to third parties without the previous written consent of Wartsila Switzerland Ltd. in case of violation, the recipient will be liable to damages.

	PAGE	2	3	4	5	6	7	8	9	10	11		
	REV.	-	-	c	b	b	b	-	b	-	-		
Mod.	a	7-33.078	23.05.05		c	7-42.146	23.03.06					Design group	9319
	b	7-34.935	21.07.05									Origin/Ref.	

	.9			.8			.7	1	.6	.5	.4	.3	.2	.1	.0
								3-107.351.243							
										 <b>WARTSILA</b>	Drawn M.BONER 03.02.05 Contr. M.BONER/KOSCHNITZKE 16.02.05		WIRING DIAGRAM E90 / WECS-9520		RT-flex84T-D RT-flex96C-B
														CAD	

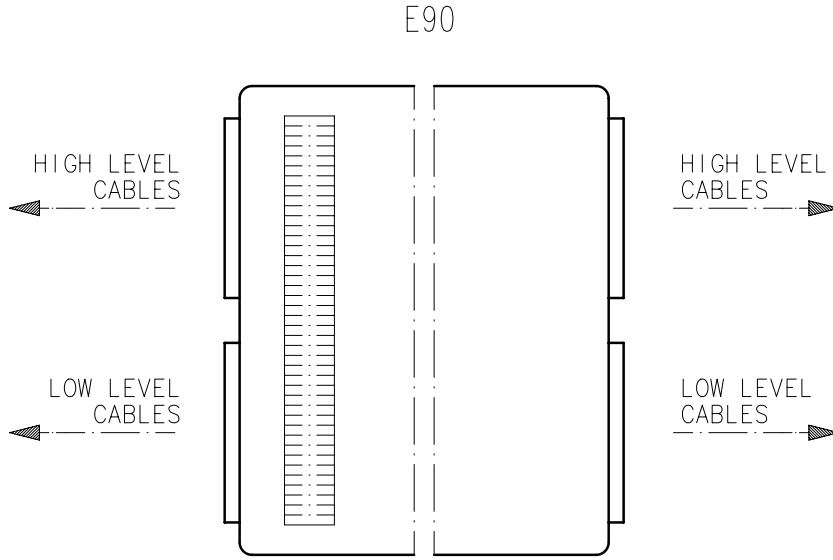
Wartsila Switzerland Ltd

Wartsila Switzerland Ltd retains all rights in this drawing. By taking possession of the drawing the recipient recognizes and holds these rights. Neither the whole nor any part of this drawing may be used in any way for construction, fabrication or marketing or any other purpose nor copied in any way nor made accessible to third parties without the previous written consent of Wartsila Switzerland Ltd. In case of violation, the recipient will be liable to damages.

# CABLE GLAND ARRANGEMENT AND CABLE ALLOCATION REQUIREMENT

E90

NOTE: CABLING TO BE DONE IN THREE WORKING STEPS.  
 CABLING FROM/TO  
 RU - RAIL UNIT  
 E - ENGINE  
 PL - PLANT  
 EACH WORKING STEP SHALL USE THE REQUIRED  
 CABLE GLAND PLATES.  
 NO SEALINGS NEEDED FOR THE CABLE GLAND PLATES.

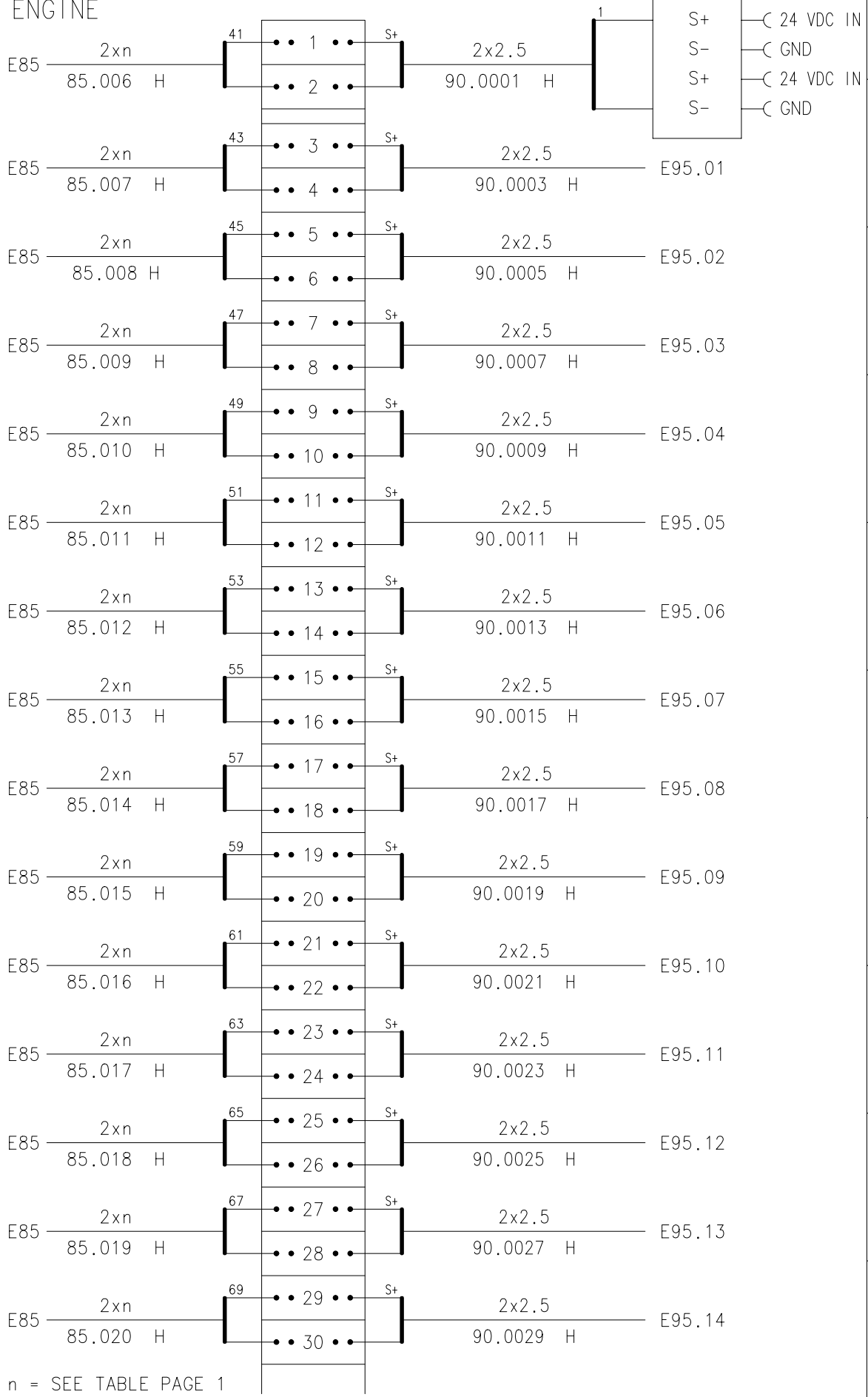


.0	.1	.2	.3	.4	.5	.6	.7	.8	.9		
WIRING DIAGRAM E90 / WECS-9520				Drawn M.BUNER 03.02.05	<b>WARTSILA</b> <small>Wartsila Switzerland Ltd</small>	<b>3-107.351.243</b>		2			
				Contr. M.BUNER/KOSKUNTZE 16.02.05							
RT-flex84T-D RT-flex96C-B										CAD	

Design group 9319  
 Origin/Ref.

FOR 14 CYLINDER E90  
ENGINE

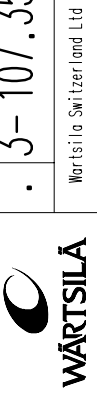
X16 / FCM#00 E90



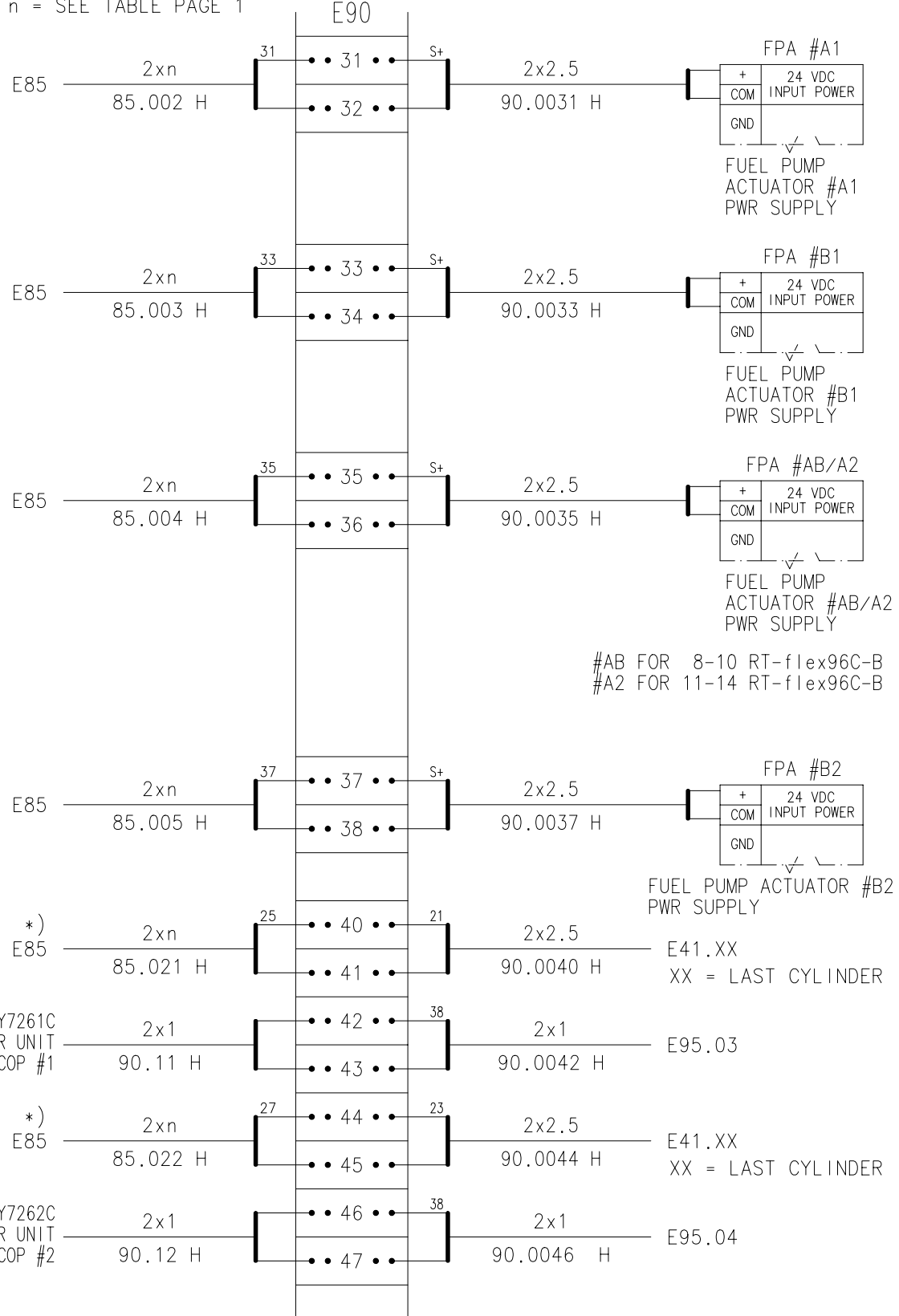
n = SEE TABLE PAGE 1

Wartsila Switzerland Ltd. retains all rights in this drawing. By taking possession of the drawing the recipient recognizes and warrants these rights. No part of this drawing may be used in any way for construction, fabrication or marketing or any other purpose nor copied in any way nor made accessible to third parties without the previous written consent of Wartsila Switzerland Ltd. In case of violation, the recipient will be liable to damages.

RT-flex84T-D		WIRING DIAGRAM E90 / WECS-9520	3	3-107.351.243	.9 .8 .7 .6 .5 .4 .3 .2 .1 .0
RT-flex96C-B					
Design group	9319				
Origin/Ref.					
CAD					



n = SEE TABLE PAGE 1



#AB FOR 8-10 RT-flex96C-B  
#A2 FOR 11-14 RT-flex96C-B

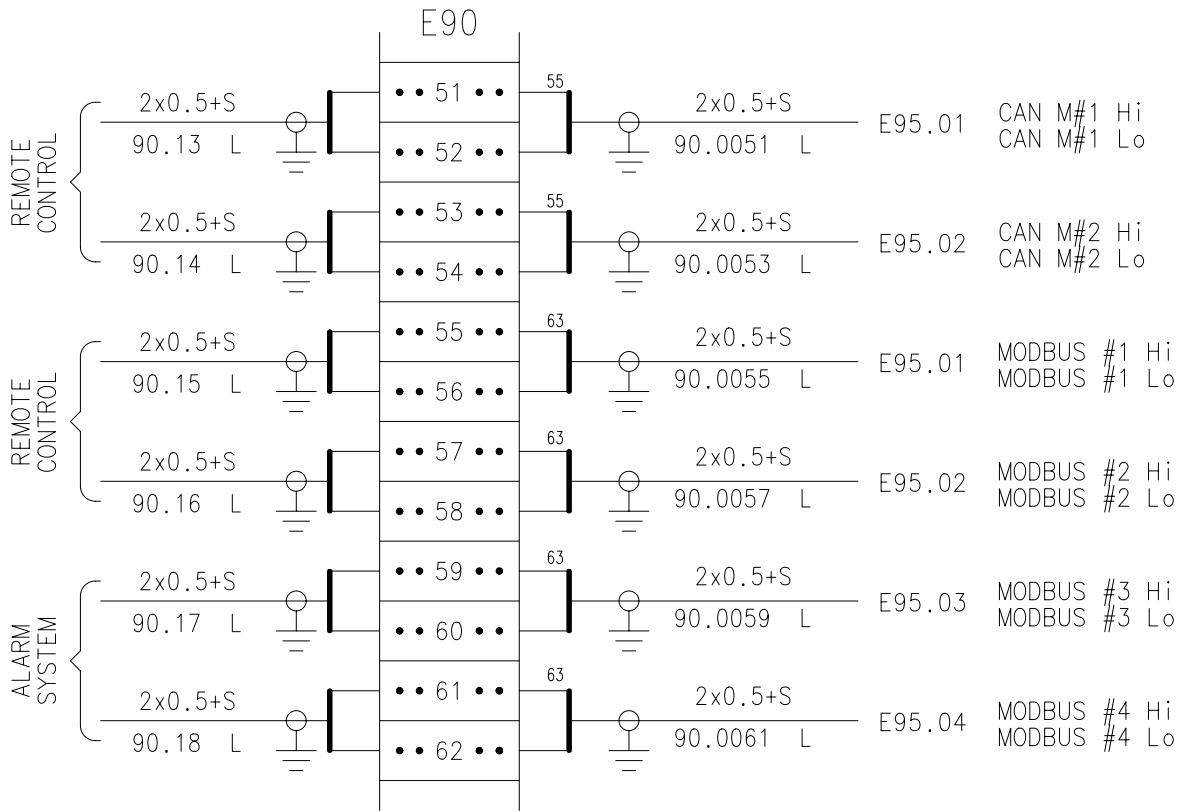
\*) ONLY USED FOR PULSE JET LUBRICATION

.9		.	
.8		4	
.7		3-107.351.243	
.6		.	
.5		WÄRTSILA	
.4		Drawn M.BUNER 03.02.05	
.3		Contr. M.BUNER/KOSCHNITZKE 16.02.05	
.2		WIRING DIAGRAM	
.1		E90 / WECS-9520	
.0		RT-flex84T-D	
		RT-flex96C-B	
Mod.		Design group 9319	
C 7-42.146 09.03.06		Origin/Ref.	
		CAD	

Wartsila Switzerland Ltd. retains all rights in this drawing. By taking possession of the drawing the recipient recognizes and warrants these rights. No part of this drawing may be used in any way for construction, fabrication or marketing or any other purpose nor copied in any way nor made accessible to third parties without the previous written consent of Wartsila Switzerland Ltd. in case of violation, the recipient will be liable to damages.

SHIPYARD

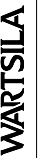
CONNECTION TO ALARM SYSTEM AND REMOTE CONTROL  
DEPENDENT ON MANUFACTURER.  
PLEASE REFER TO CORRESPONDING  
DOCUMENTATION.



Wartsila Switzerland Ltd. retains all rights in this drawing. By taking possession of the drawing the recipient recognizes and warrants these rights. Neither the whole nor any part of this drawing may be used in any way for construction, fabrication or marketing or any other purpose nor copied in any way nor made accessible to third parties without the previous written consent of Wartsila Switzerland Ltd. In case of violation, the recipient will be liable to damages.

.9		.8		.7		.6		.5		.4		.3		.2		.1		.0	
3-107.351.243																		5	
																		Drawn: M.BUNER 03.02.05 Contr.: M.BUNER/KOSKINEN/TZE 16.02.05	
RT-flex84T-D RT-flex96C-B																		WIRING DIAGRAM E90 / WECS-9520	

Wartsila Switzerland Ltd

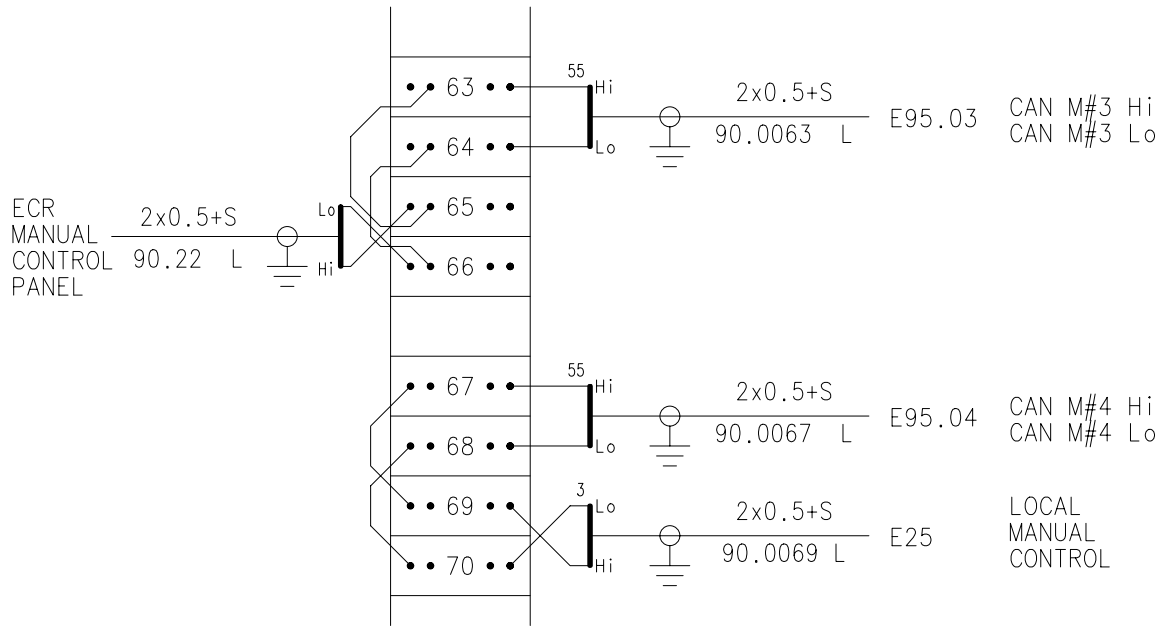


Design group 9319  
Origin/Ref.

CAD

SHIPYARD

E90



Wartsila Switzerland Ltd retains all rights in this drawing. By taking possession of the drawing the recipient recognizes and warrants these rights. Neither the whole nor any part of this drawing may be used in any way for construction, fabrication or marketing or any other purpose nor copied in any way nor made accessible to third parties without the previous written consent of Wartsila Switzerland Ltd. In case of violation, the recipient will be liable to damages.

WIRING DIAGRAM  
E90 / WECS-9520

RT-flex84T-D  
RT-flex96C-B

Drawn M.BÜNER 03.02.05  
Contr. M.BÜNER/KOSCHNITZKE 16.02.05



Wartsila Switzerland Ltd

Mod.	a	7-33.078	23.05.05	•	•	•	•	•	•	•	•	•	•	•	Design group 9319
	b	7-34.935	19.07.05	•	•	•	•	•	•	•	•	•	•	•	Origin/ Ref. .

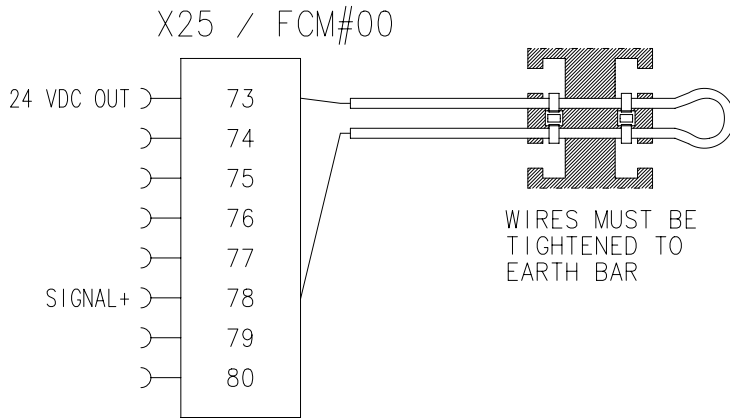
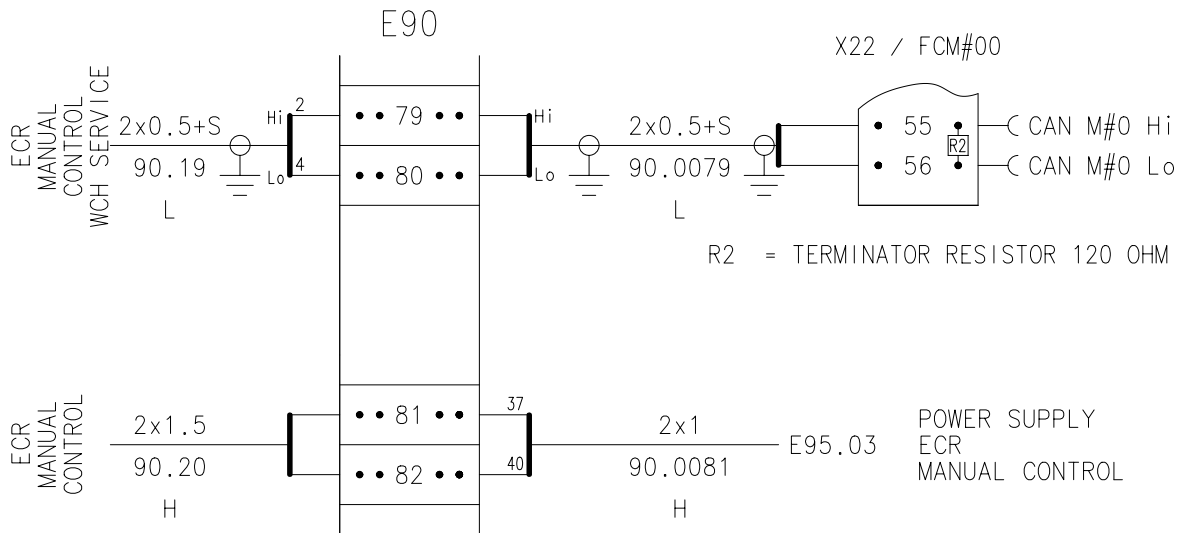
.9	
.8	
.7	6
.6	3-107.351.243
.5	Wartsila Switzerland Ltd
.4	
.3	
.2	
.1	
.0	

CAD

Wartsila Switzerland Ltd retains all rights in this drawing. By taking possession of the drawing the recipient recognizes and holds these rights. Neither the whole nor any part of this drawing may be used in any way for construction, fabrication or marketing or any other purpose nor copied in any way nor made accessible to third parties without the previous written consent of Wartsila Switzerland Ltd. In case of violation, the recipient will be liable to damages.

E90

CONNECTION TO ECR MANUAL CONTROL  
DEPENDENT ON MANUFACTURER. PLEASE REFER TO  
CORRESPONDING DOCUMENTATION.



.9  
.8  
.7  
.6  
.5  
.4  
.3  
.2  
.1  
.0

3-107.351.243

7

Drawn M.BUNER 03.02.05  
Contr. M.BUNER/KOSCHNITZKE 16.02.05

WIRING DIAGRAM  
E90 / WECS-9520

RT-flex84T-D  
RT-flex96C-B

CAD

Design group 9319  
Origin/Ref.

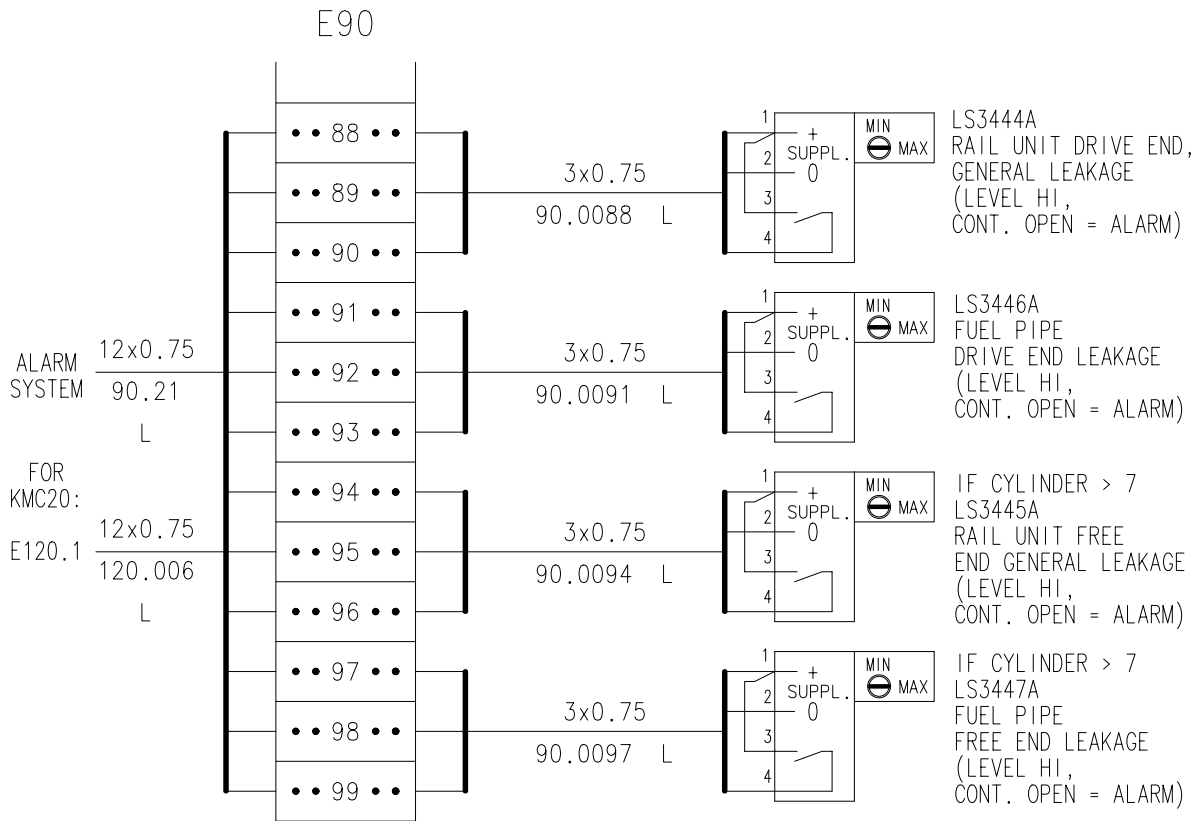
Wartsila Switzerland Ltd



Wartsila Switzerland Ltd. retains all rights in this drawing. By taking possession of the drawing the recipient recognizes and warrants these rights. Neither the whole nor any part of this drawing may be used in any way for construction, fabrication or marketing or any other purpose nor copied in any way nor made accessible to third parties without the previous written consent of Wartsila Switzerland Ltd. In case of violation, the recipient will be liable to damages.

# SHIPYARD

CONNECTION TO ALARM SYSTEM DEPENDENT ON MANUFACTURER.  
PLEASE REFER TO CORRESPONDING DOCUMENTATION.



E90

.9	
.8	
.7	8
.6	3-107.351.243
.5	
.4	
.3	
.2	
.1	
.0	

WIRING DIAGRAM  
E90 / WECS-9520

RT-flex84T-D  
RT-flex96C-B

CAD

Design group 9319  
Origin/Ref.

Drawn M.BUNER 03.02.05  
Contr. M.BUNER/KOSMANTZE 16.02.05

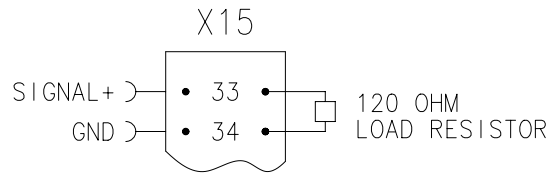


Wartsila Switzerland Ltd

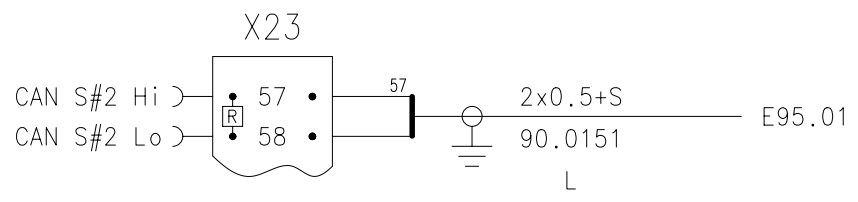
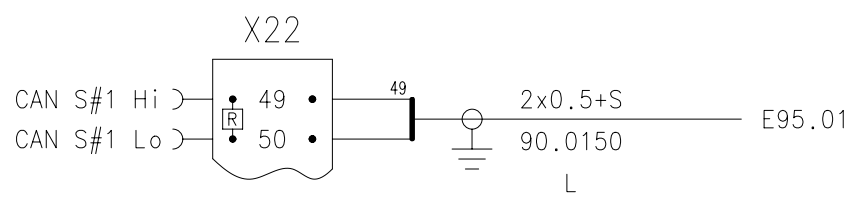


E90

# FCM-20 #00



## FOR 5,6,7 CYLINDER ENGINES CAN S#1 / CAN S#2



R = TERMINATOR RESISTOR 120 OHM

Wartsila Switzerland Ltd. retains all rights in this drawing. By taking possession of the drawing the recipient recognizes and warrants these rights. Neither the whole nor any part of this drawing may be used in any way for construction, fabrication or marketing or any other purpose nor copied in any way nor made accessible to third parties without the previous written consent of Wartsila Switzerland Ltd. in case of violation, the recipient will be liable to damages.

.9		.8		.7		.6		.5		.4		.3		.2		.1		.0	
										3-107.351.243		9							
												Drawn M.BUNER 03.02.05 Contr. M.BUNER/KOSCHNITZKE 16.02.05		WIRING DIAGRAM E90 / WECS-9520		RT-flex84T-D RT-flex96C-B			

Wartsila Switzerland Ltd



Mod.	a	7-33.078	23.05.05	○	.	.	○	.	○	.	○	.	○	.	○	.	○	.	○	.	Design group 9319
	b	7-34.935	19.07.05	○	.	.	○	.	○	.	○	.	○	.	○	.	○	.	○	.	Origin/Ref.

CAD



